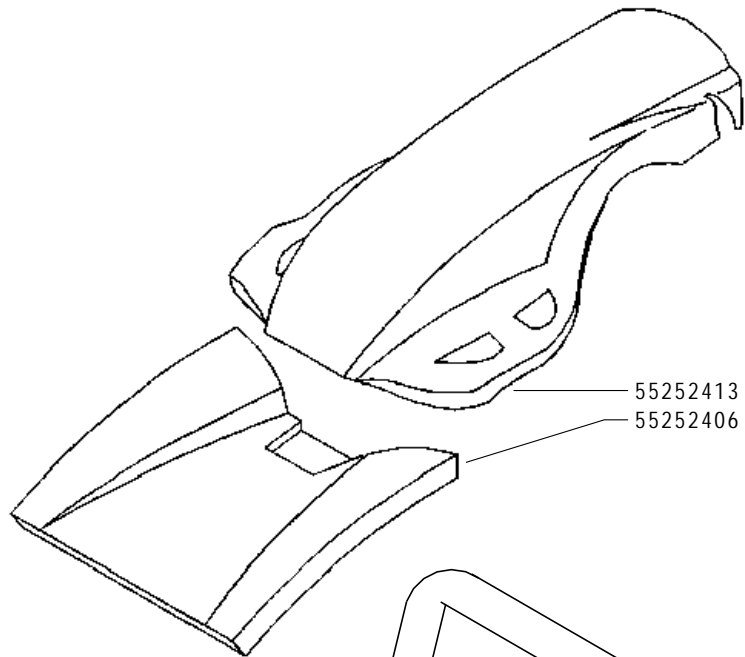


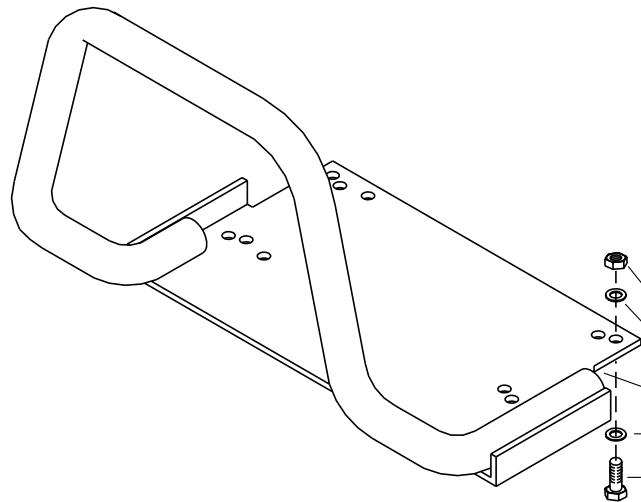
Inhoudsopgave

Bumper & Motorkapjes	3
Differentieel & Wielassen	31
Drijfwerk Huis	17
Eindvertraging Wielassen	31
Elektrische Delen	5
Index	77
Koppeling	11
PTO & Tandwielen	23
Remmen	69
Schakelpoken	45
Stickers	71
Stuurboom 11-4	27
Stuurboom 11-5	33
Stuurboom 11-6	37
Stuurboom 11-7	41
Stuur & Kabels	53

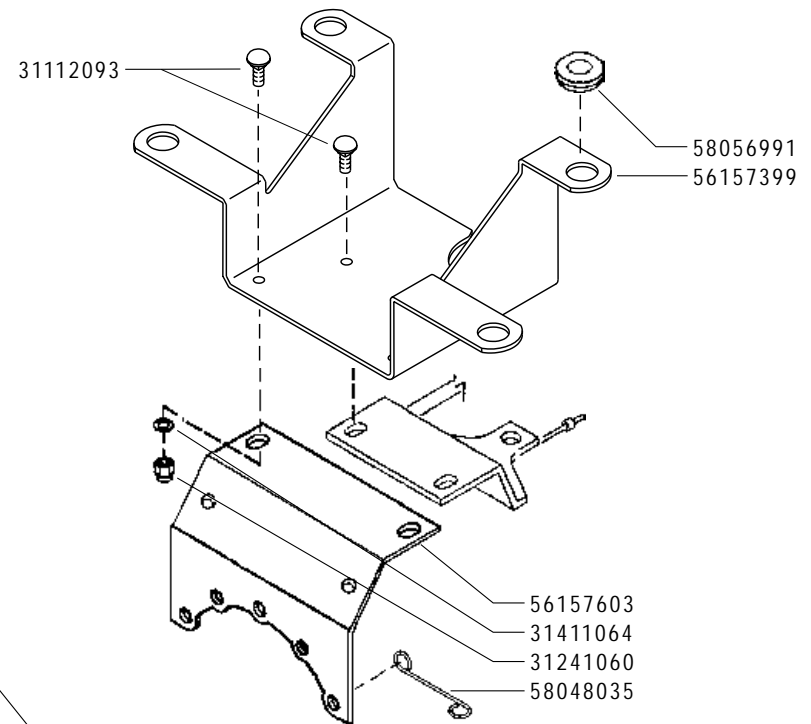
Code	Description	Notes
01B_0_24960	ENGINE GUARDS (346)	
002_5_25058	ELECTRIC STARTER (340 - 346)	Version: MC 340, MC 346
002_6_33590	ELECTRIC STARTER (340 - 346)	
002_7_63846	ELECTRIC STARTER (340 - 346)	Version: MC 346, MC 340
003_3_25078	CLUTCH	Version: MC 346, MC 340
003_4_27606	SELF-VENTILATING CONE CLUTCH	
003_5_33490	CLUTCH	
004_4_25109	GEARBOX	Version: MC 340
04A_0_25152	GEARBOX (346)	Version: MC 346
006_3_25213	GEARS (340 - 346)	Version: MC 340, MC 346
011_4_25304	STEERING COLUMN (340-346)	Version: MC 346, MC 340
09A_0_25271	DIFFERENTIAL (346)	
011_5_32699	STEERING COLUMN (340-346)	
011_6_33168	STEERING COLUMN (340-346)	
011_7_63924	STEERING COLUMN (340-346)	
011A_0_25340	CONTROLS (340-346)	Version: MC 346, MC 340
011A_1_32745	CONTROLS (340-346)	
013_4_25436	HANDLEBAR (340-346)	Version: MC 340, MC 346
013_5_32888	HANDLEBAR (340-346)	
013_6_33211	HANDLEBAR (340-346)	
013_7_64065	HANDLEBAR (340-346)	
014_2_25485	BRAKES (340-346)	Version: MC 340, MC 346
016_2_25498	STICKERS	
016_3_32939	STICKERS	
017_0_25512	STICKERS	



55252413
55252406



31241080
31411084
59053224
31411084
31112155 (M8x45)
31112153 (M8x35)



31112093
58056991
56157399
56157603
31411064
31241060
58048035

FERRARI

300 serie 95

PROTEZIONI MOTORE (346)

ENGINE GUARDS
PROTECCIONES MOTOR

PROTECTIONS MOTEUR
MOTORSCHUTZ

DALLA MACCHINA
DE LA MAQUINA
DE LA MACHINE
FROM THE MACHINE
AB DER MASCHINE

N.

752002

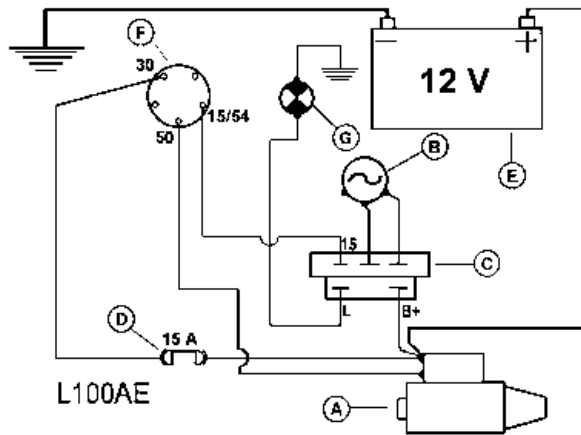
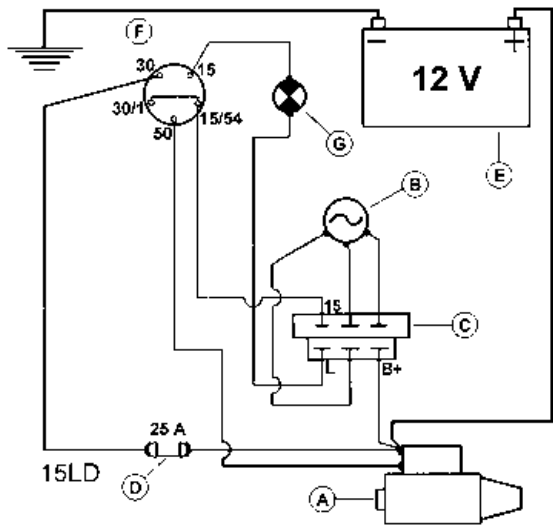
01 B 0

02/2006

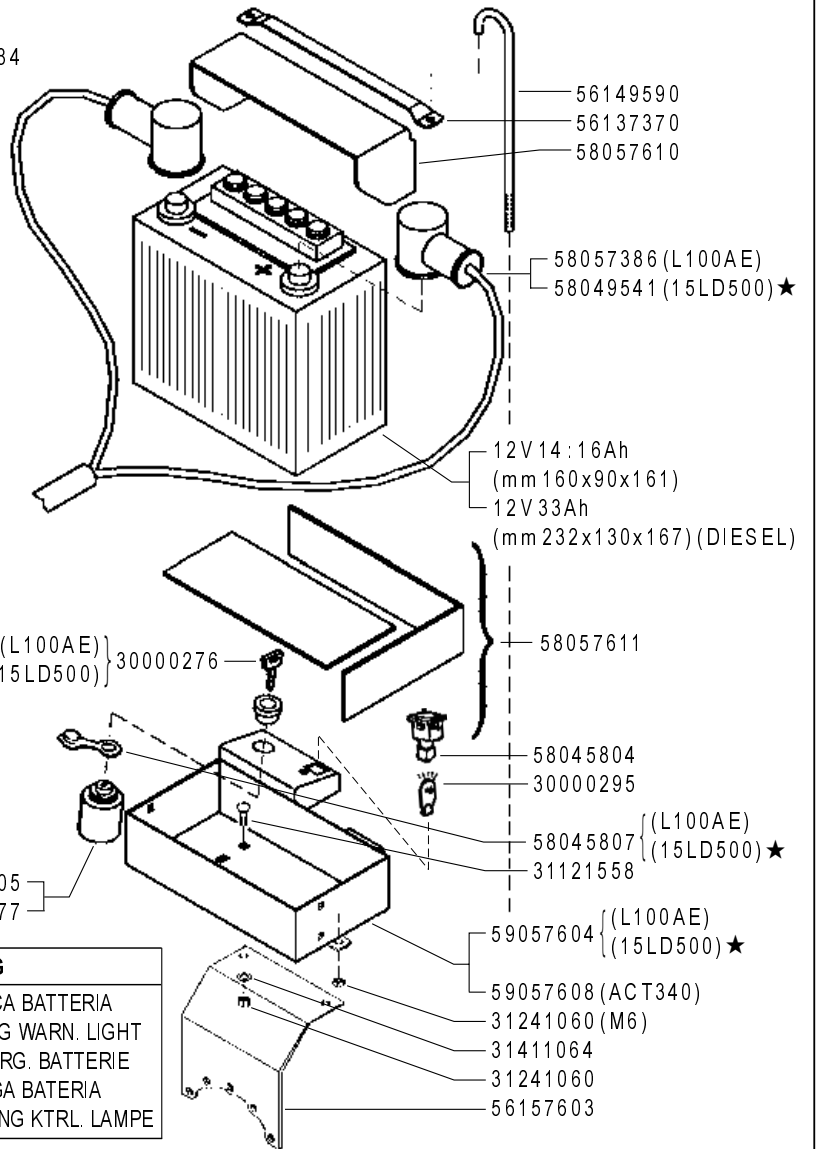
Rev.

ZENNE

Pos.	Code	Q.ty	Description	Notes
31112093	31112093	1	SCREW TE M6X20 UNI 5739 8G	
31112153	31112153	1	SCREW TE M8X35 UNI 5739 8G	
31112155	31112155	1	SCREW TE M8X45 UNI 5739 8G	
31241060	31241060	1	SELFLOCK NUT M6	
31241080	31241080	1	SELFLOCK NUT M8	
31411064	31411064	1	WASHER 6,4x12,5	
31411084	31411084	1	WASHER 8,4x17	
55252406	55252406	1	GUARD	
55252413	55252413	1	GUARD	
56157399	56157399	1	HOLDER	
56157603	56157603	1	HOLDER	
58048035	58048035	1	HOLDER	
58056991	58056991	1	CABLE GLAND	
59053224	59053224	1	COMPLETE BUMPERS	



(ACT340) 58057384



★(15LD500) 58045805
(L100AE) 30000277

A	B	C	D	E	F	G
MOTORINO D'AVVIAMENTO STARTER DÉMARREUR MOT. DE ARRANQUE ANLASSMOTOR	GENERATORE GENERATOR GÉNÉRATEUR GENERADOR GENERATOR	REGOLATORE REGULATOR RÉGULATEUR REGULADOR REGLER	FUSIBILI FUSES FUSIBLES FUSIBLES SCHMELZSICHERUNGEN	BATTERIA BATTERY BATTERIE BATERIA BATTERIE	INTERRUTTORE SWITCH INTERRUPTEUR INTERRUPTOR SCHALTER	SPIA CARICA BATTERIA BATTERY LONG WARN. LIGHT TEMOIN CHARG. BATTERIE LUZ CARGA BATERIA BATTERIELADUNG KTRL. LAMPE

FERRARI

300 serie 95

AVVIAMENTO ELETTRICO (340-346)

ELECTRIC STARTER
ARRANQUE ELECTRICO

DÉMARRAGE ÉLECTRIQUE
ELEKTROSTART

DALLA MACCHINA
DE LA MAQUINA
FROM THE MACHINE
AB DER MASCHINE

★ N.

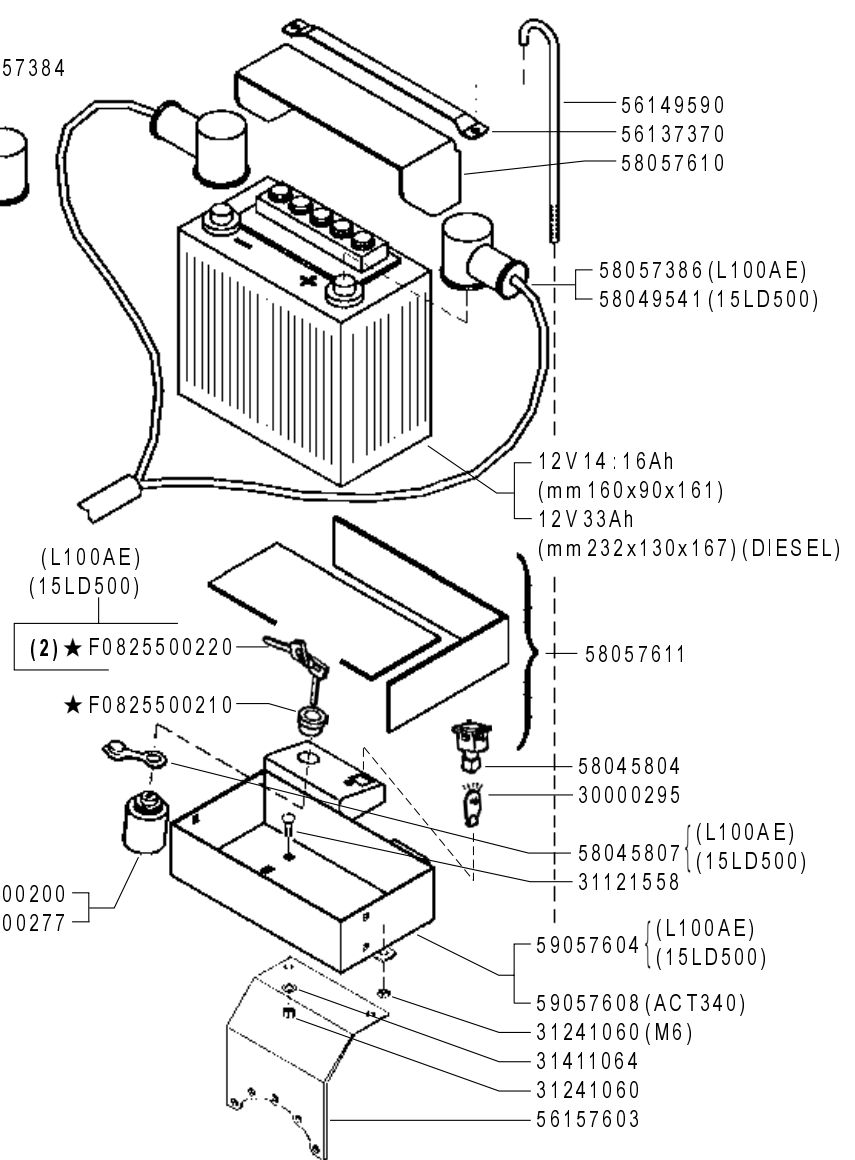
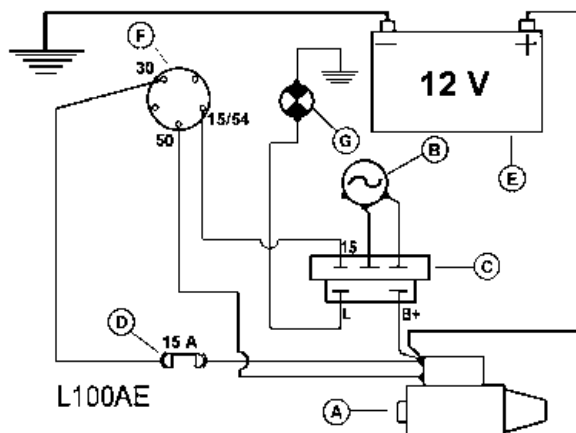
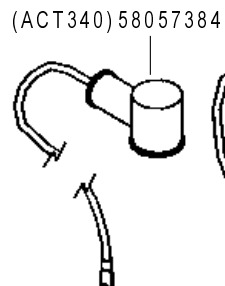
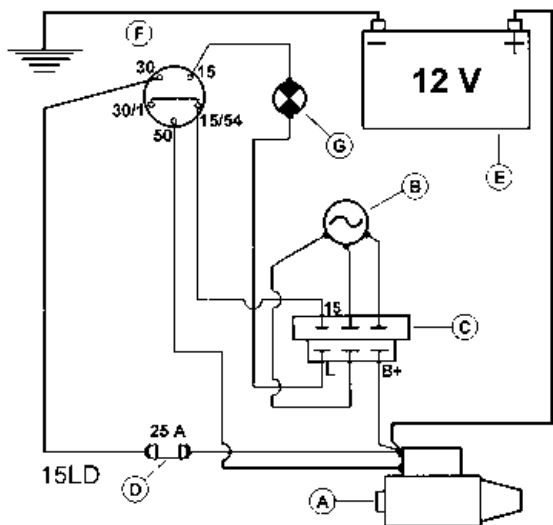
752002 (346)
749391 (340)

02 5

02/2006

ZENNE

Pos.	Code	Q.ty	Description	Notes
30000276	30000276	1	KEY	
30000277	30000277	1	SWITCH	
30000295	30000295	1	LAMP	
31121558	31121558	1	SCREW TTQ M6X16 UNI 5731	
31241060	31241060	1	SELFLOCK NUT M6	
31411064	31411064	1	WASHER 6,4x12,5	
56137370	56137370	1	BATTERY BRACKET	
56149590	56149590	1	BATTERY BRACKET	
56157603	56157603	1	HOLDER	
58045804	58045804	1	WARNING LIGHT	
58045805	58045805	1	SWITCH	
58045807	58045807	1	LOCK COVER	
58049541	58049541	1	WIRING	
58057384	58057384	1	CABLE	
58057386	58057386	1	WIRING	
58057610	58057610	1	BOX	
58057611	58057611	1	KIT	
59057604	59057604	1	BOX	
59057608	59057608	1	BOX	



A	B	C
MOTORINO D'AVVIAMENTO STARTER DÉMARREUR MOT. DE ARRANQUE ANLASSMOTOR	GENERATORE GENERATOR GÉNÉRATEUR GENERADOR GENERATOR	REGOLATORE REGULATOR RÉGULATEUR REGULADOR REGLER

D	E	F	G
FUSIBILI FUSES FUSIBLES FUSIBLES SCHMELZSICHERUNGEN	BATTERIA BATTERY BATTERIE BATERIA BATTERIE	INTERRUTTORE SWITCH INTERRUPTEUR INTERRUPTOR SCHALTER	SPIA CARICA BATTERIA BATTERY LONG WARN. LIGHT TEMOIN CHARG. BATTERIE LUZ CARGA BATERIA BATTERIELADUNG KTRL. LAMPE

(2) sostituisce 30000276

(1) sostituisce 58045805

FERRARI

300 serie 95

AVVIAMENTO ELETTRICO (340-346)

ELECTRIC STARTER
ARRANQUE ELECTRICO

DÉMARRAGE ÉLECTRIQUE
ELEKTROSTART

DALLA MACCHINA
DE LA MAQUINA
DE LA MACHINE
FROM THE MACHINE
AB DER MASCHINE

AGGIORNAMENTO
REVISION
MISE A JOUR
APLZAMIENTO
ANPASSUNG

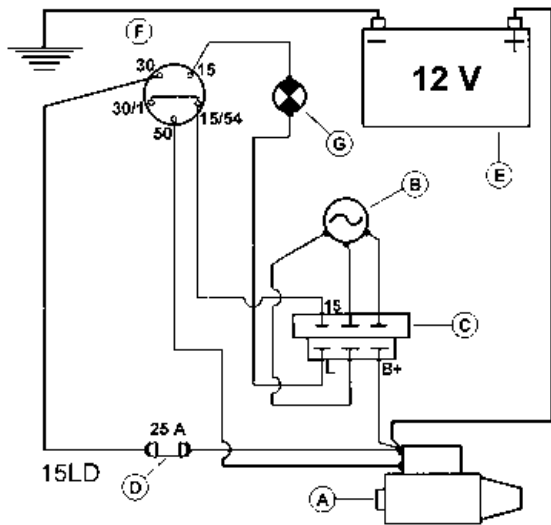
02 6

01/2007

★ N.

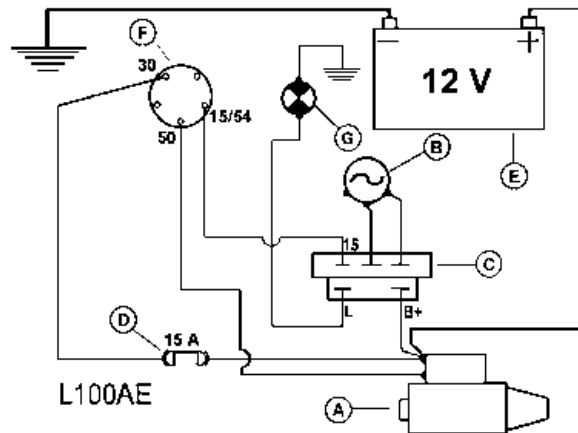
ZENNE

Pos.	Code	Q.ty	Description	Notes
30000277	30000277	1	SWITCH	
30000295	30000295	1	LAMP	
31121558	31121558	1	SCREW TTQ M6X16 UNI 5731	
31241060	31241060	1	SELFLOCK NUT M6	
31411064	31411064	1	WASHER 6,4x12,5	
56137370	56137370	1	BATTERY BRACKET	
56149590	56149590	1	BATTERY BRACKET	
56157603	56157603	1	HOLDER	
58045804	58045804	1	WARNING LIGHT	
58045807	58045807	1	LOCK COVER	
58049541	58049541	1	WIRING	
58057384	58057384	1	CABLE	
58057386	58057386	1	WIRING	
58057610	58057610	1	BOX	
58057611	58057611	1	KIT	
59057604	59057604	1	BOX	
59057608	59057608	1	BOX	
F0825500	F0825500200	1	CHANGE-OVER SWITCH	
F0825500	F0825500210	1	RING NUT	
F0825500	F0825500220	1	KEY	

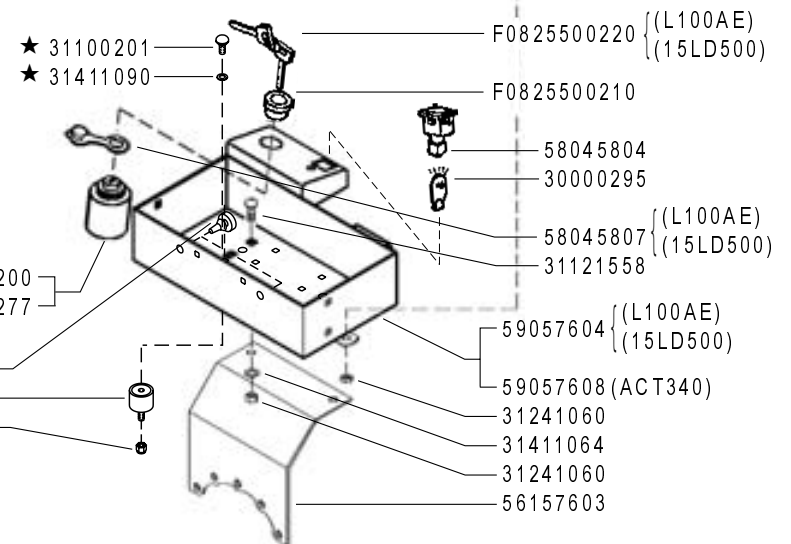
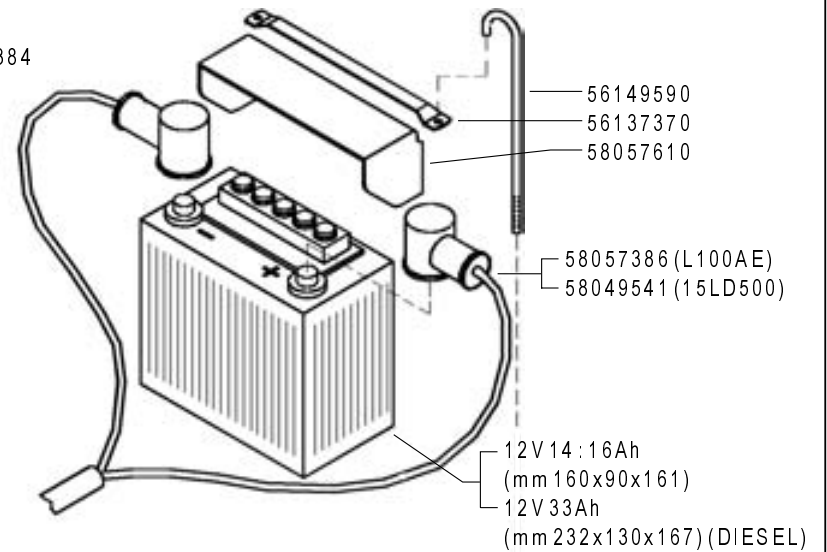


A	B	C
MOTORINO D'AVVIAMENTO STARTER DÉMARREUR MOT. DE ARRANQUE ANLASSMOTOR	GENERATORE GENERATOR GÉNÉRATEUR GENERADOR GENERATOR	REGOLATORE REGULATOR RÉGULATEUR REGULADOR REGLER

D	E	F	G
FUSIBILI FUSES FUSIBLES FUSIBLES SCHMELZSICHERUNGEN	BATTERIA BATTERY BATTERIE BATERIA BATTERIE	INTERRUTTORE SWITCH INTERRUPTEUR INTERRUPTOR SCHALTER	SPIA CARICA BATTERIA BATTERY LONG WARN. LIGHT TEMOIN CHARG. BATTERIE LUZ CARGA BATERIA BATTERIELADUNG KTRL. LAMPE



(ACT340) 58057384



(15LD500) F0825500200
(L100AE) 30000277

- ★ 58157405
- ★ 58135225
- ★ 31241060

FERRARI

300 serie 95

AVVIAMENTO ELETTRICO (340-346)

ELECTRIC STARTER
ARRANQUE ELECTRICO

DÉMARRAGE ÉLECTRIQUE
ELEKTROSTART

DALLA MACCHINA
DE LA MAQUINA
DE LA MACHINE
FROM THE MACHINE
AB DER MASCHINE

★ N.

(346) 813168

(340) 823957

02

Rev.
7

01/2008

ZENNE

Pos.	Code	Q.ty	Description	Notes
30000277	30000277	1	SWITCH	
30000295	30000295	1	LAMP	
31100201	31100201	1	SCREW TTQ M6X12 UNI 5731	
31121558	31121558	1	SCREW TTQ M6X16 UNI 5731	
31241060	31241060	1	SELFLOCK NUT M6	
31411064	31411064	1	WASHER 6,4x12,5	
31411090	31411090	1	WASHER 9x24	
56137370	56137370	1	BATTERY BRACKET	
56149590	56149590	1	BATTERY BRACKET	
56157603	56157603	1	HOLDER	
58045804	58045804	1	WARNING LIGHT	
58045807	58045807	1	LOCK COVER	
58049541	58049541	1	WIRING	
58057384	58057384	1	CABLE	
58057386	58057386	1	WIRING	
58057610	58057610	1	BOX	
58057611	58057611	1	KIT	
58135225	58135225	1	VIBRATION-DAMPING	
58157405	58157405	1	PLUG	
59057604	59057604	1	BOX	
59057608	59057608	1	BOX	
F0825500	F0825500200	1	CHANGE-OVER SWITCH	
F0825500	F0825500210	1	RING NUT	
F0825500	F0825500220	1	KEY	

SERIAL

ELECTRIC STARTER (340 - 346)

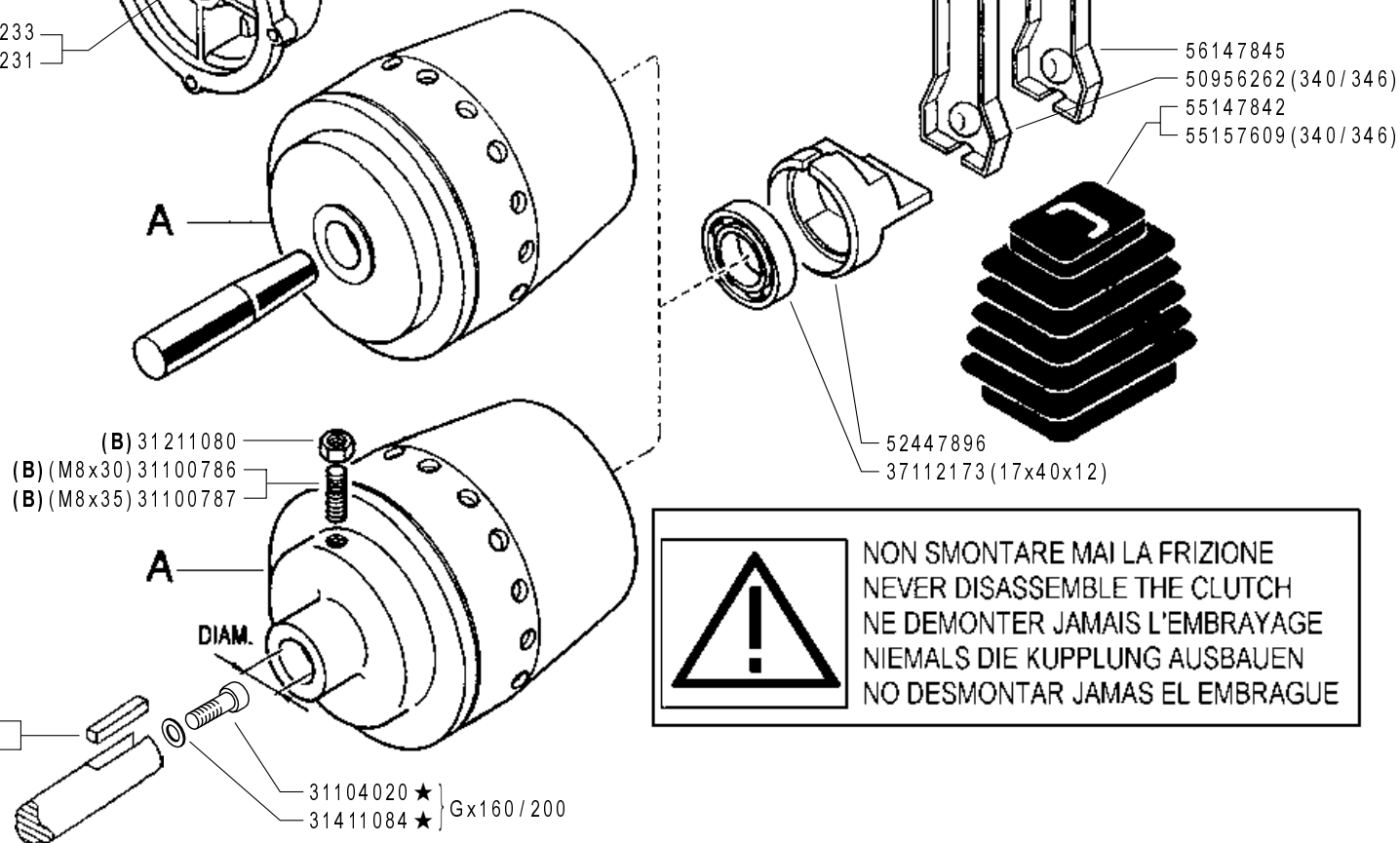
Version: MC 346, MC 340

CODE REV

002_7_63846

- ★(Gx240/270) 31100015
(Gx160/200) 31100003
- ★(Gx240/270) 53156150
(Gx160/200) 53247468
- ★(Gx240/270) 31423105
(Gx160/200) 31423084
- ★(Gx240/270) 37112233
(Gx160/200) 37112231
- 56347484 (Gx240/270) ★
- 56356251 (Gx160/200)
- 31211080
- 31241080 ⚡
- 31423084
- 31312088 (M8x40)
- 31312083 (M8x46)

MOTORE ENGINE MOTEUR MOTOR	A	FRIZIONE CLUTCH EMBRAYAGE EMBRAGUE KUPPLUNG
AcmeA220		59247884
A349 - A360 - ACT280		59247884
ACT340		59247971
Honda Gx160/200		59256271 ★(1)
Honda Gx240/270 ★		59256253
Lombardini 15LD315/350		59247884
Lombardini 15LD500 ★		59247924
Yanmar L70AE ★		59247884
Yanmar L100AE		59247971



(1) sostituisce 59256265

(B) serrare a 2 kgm

FERRARI

300 serie 95

FRIZIONE A CONO AUTOVENTILANTE

CLUTCH
EMBRAGUE

EMBRAYAGE
KUPPLUNG

DALLA MACCHINA
DE LA MAQUINA
DE LA MACHINE
FROM THE MACHINE
AB DER MASCHINE

(1) 763195

★ N.

752002 (346)

749391 (340)

03

02/2006

Rev.
3

ZENNE

Pos.	Code	Q.ty	Description	Notes
31100003	31100003	1	SCREW TE 5/16X7/8	
31100015	31100015	1	SCREW TE 3/8X1	
31100786	31100786	1	SCREW STEI M8X30 UNI5923 8G	
31100787	31100787	1	SCREW STEI M8X35 UNI5923 8G	
31104020	31104020	1	SCREW TCCE 5/16X3/4 24 UNF 12K	
31211080	31211080	1	NUT M8	
31241080	31241080	1	SELFLOCK NUT M8	
31312083	31312083	1	STUD BOLT M8X46X16X16	
31312088	31312088	1	STUD BOLT M8X40X14X14	
31411084	31411084	1	WASHER 8,4x17	
31423084	31423084	1	SPRING WASHER 8,4	
31423105	31423105	1	SPRING WASHER 10,5	
37112173	37112173	1	BEARING	
37112231	37112231	1	BEARING	
37112233	37112233	1	BEARING	
50956262	50956262	1	CLUTCH LEVER	
52447896	52447896	1	PRESSURE PLATE	
53156150	53156150	1	ENGINE FLANGE	
53247468	53247468	1	FLANGE	
55147842	55147842	1	BELLOWS	
55157609	55157609	1	BELLOWS	
56147845	56147845	1	CLUTCH LEVER	
56347484	56347484	1	SHIM	
56349782	56349782	1	DOWEL	
56356165	56356165	1	DOWEL	
56356251	56356251	1	SHIM D=19,6	
59247884	59247884	1	CLUTCH ASSY	
59247924	59247924	1	CLUTCH	
59247971	59247971	1	CLUTCH	
59256253	59256253	1	CLUTCH ASSY	

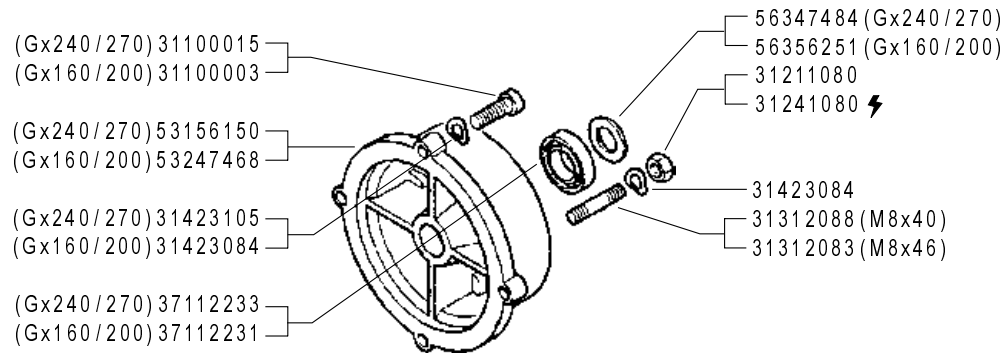
SERIAL

CLUTCH

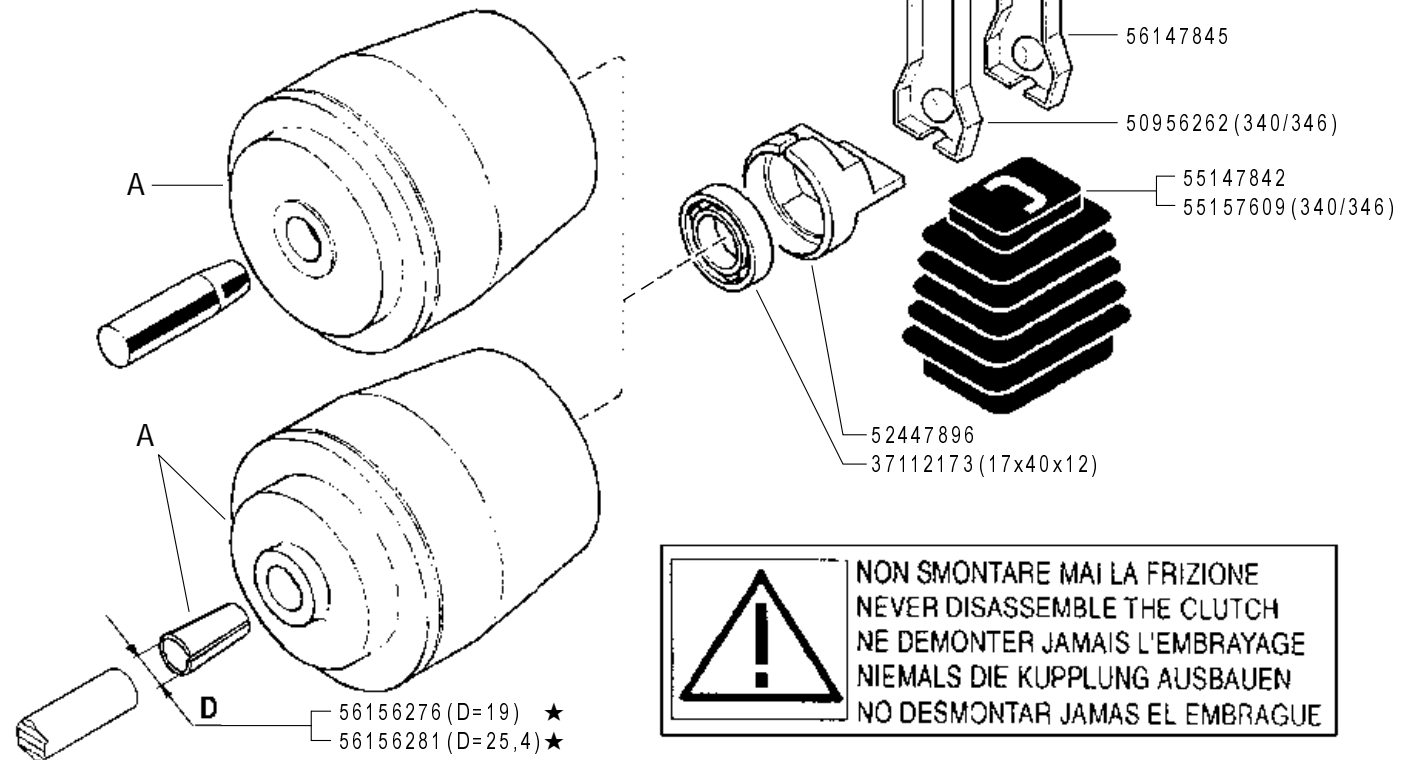
Version: MC 346, MC 340


CODE REV

003_3_25078



MOTORE ENGINE MOTEUR MOTOR	A	FRIZIONE CLUTCH EMBRAYAGE EMBRAGUE KUPPLUNG
AcmeA220	59247884	
A349 - A360 - ACT280	59247884	
ACT340	59247971	
Honda Gx160/200 (D=19)	59256275 ★ (1)	
Honda Gx240/270 (D=25,4)	59256279 ★ (2)	
Lombardini 15LD315/350	59247884	
Lombardini 15LD500	59247924	
Yanmar L70AE	59247884	
Yanmar L100AE	59247971	




**NON SMONTARE MAI LA FRIZIONE
 NEVER DISASSEMBLE THE CLUTCH
 NE DEMONTER JAMAIS L'EMBRAYAGE
 NIEMALS DIE KUPPLUNG AUSBAUEN
 NO DESMONTAR JAMAS EL EMBRAGUE**

(2) sostituisce 59256253
 (1) sostituisce 59256271

FERRARI

300 serie 95

FRIZIONE A CONO AUTOVENTILANTE

CLUTCH
EMBRAGUE

EMBRAYAGE
KUPPLUNG

DALLA MACCHINA
DE LA MAQUINA
DE LA MACHINE
FROM THE MACHINE
AB DER MASCHINE

CHIEDERE A S.A.T.

ASK TO S.A.T.

DEMANDER A S.A.T.

SOLICITAR EL S.A.T.

ANFRAGEN DER S.A.T.

03

Rev.
4

11/2006

★ N.

ZENNE

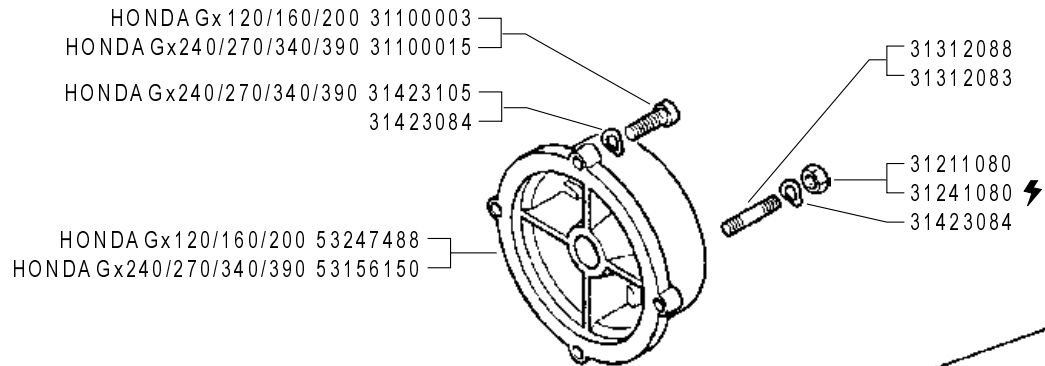
Pos.	Code	Q.ty	Description	Notes
31100003	31100003	1	SCREW TE 5/16X7/8	
31100015	31100015	1	SCREW TE 3/8X1	
31211080	31211080	1	NUT M8	
31241080	31241080	1	SELFLOCK NUT M8	
31312083	31312083	1	STUD BOLT M8X46X16X16	
31312088	31312088	1	STUD BOLT M8X40X14X14	
31423084	31423084	1	SPRING WASHER 8,4	
31423105	31423105	1	SPRING WASHER 10,5	
37112173	37112173	1	BEARING	
37112231	37112231	1	BEARING	
37112233	37112233	1	BEARING	
50956262	50956262	1	CLUTCH LEVER	
52447896	52447896	1	PRESSURE PLATE	
53156150	53156150	1	ENGINE FLANGE	
53247468	53247468	1	FLANGE	
55147842	55147842	1	BELLOWS	
55157609	55157609	1	BELLOWS	
56147845	56147845	1	CLUTCH LEVER	
56156276	56156276	1	SLEEVE	
56156281	56156281	1	CENTRING BUSH	
56347484	56347484	1	SHIM	
56356251	56356251	1	SHIM D=19,6	
59247884	59247884	1	CLUTCH ASSY	
59247924	59247924	1	CLUTCH	
59247971	59247971	1	CLUTCH	
59256275	59256275	1	CLUTCH ASSY	
59256279	59256279	1	CLUTCH ASSY	

SERIAL

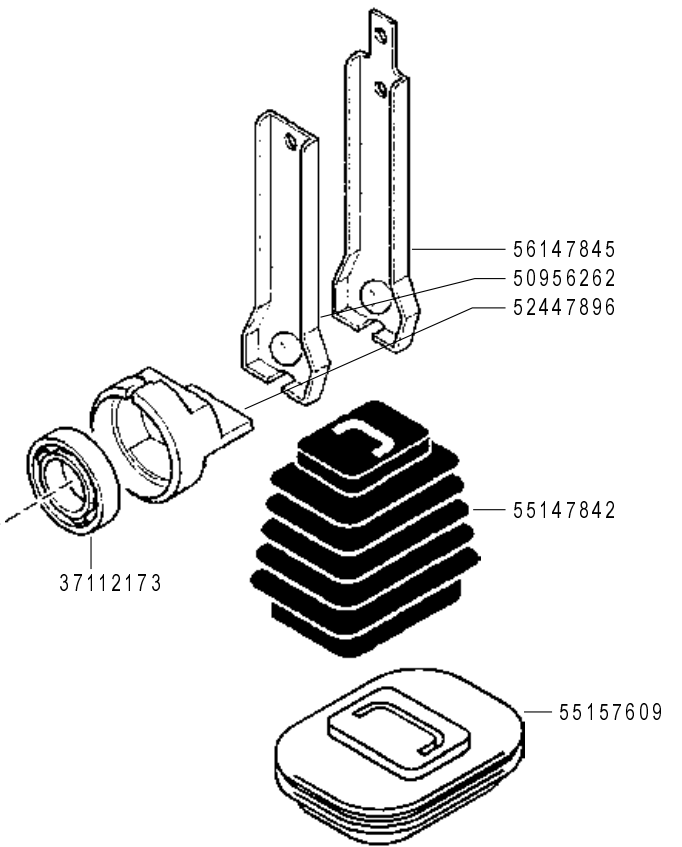
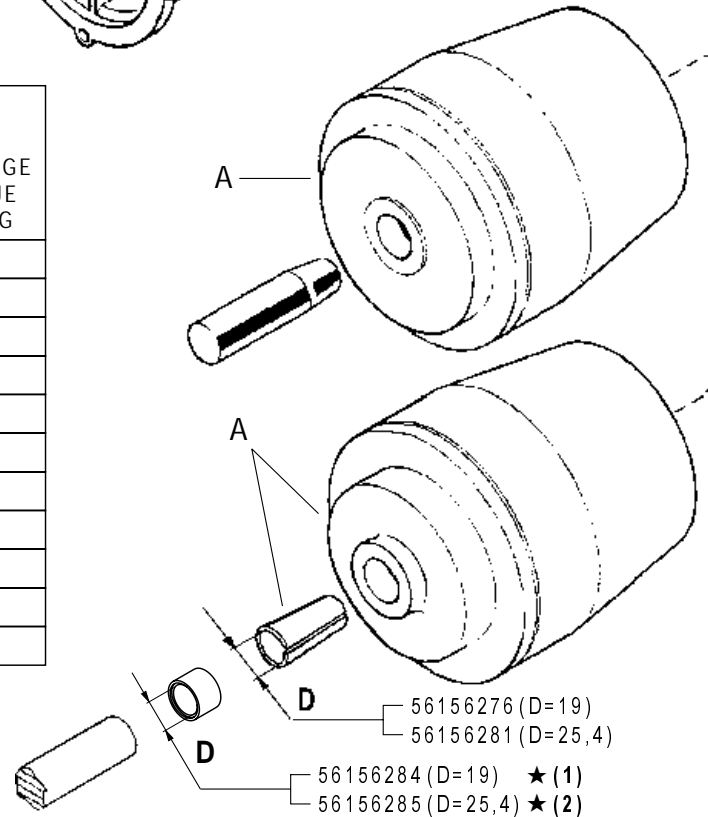
SELF-VENTILATING CONE CLUTCH


CODE REV

003_4_27606



MOTORE ENGINE MOTEUR MOTOR	FRIZIONE CLUTCH A EMBRAYAGE EMBRAGUE KUPPLUNG
Acme A220	59247884
Acme A220 (REF.)	59256255
Acme ACT280 - A349 - A360	59247884
Acme ACT340	59247971
Honda Gx390 - Gx340 D=25,4	59256280
Honda Gx240/270 D=25,4	59256279
Honda Gx120/160/200 D=19	59256275
Lombardini 15LD315/350	59247884
Lombardini 15LD500	59247924
Yanmar L100AE	59247971
Yanmar L70AE	59247884



 **NON SMONTARE MAI LA FRIZIONE
NEVER DISASSEMBLE THE CLUTCH
NE DEMONTER JAMAIS L'EMBRAYAGE
NIEMALS DIE KUPPLUNG AUSBAUEN
NO DESMONTAR JAMAS EL EMBRAGUE**

FERRARI

300 serie 95

FRIZIONE A CONO AUTOVENTILANTE

CLUTCH
EMBRAGUE

EMBRAYAGE
KUPPLUNG

DALLA MACCHINA
DE LA MAQUINA
FROM THE MACHINE
AB DER MASCHINE

★ N.

(2) 799519
(1) 779324

03

Rev.
5

11/2006

ZENNE

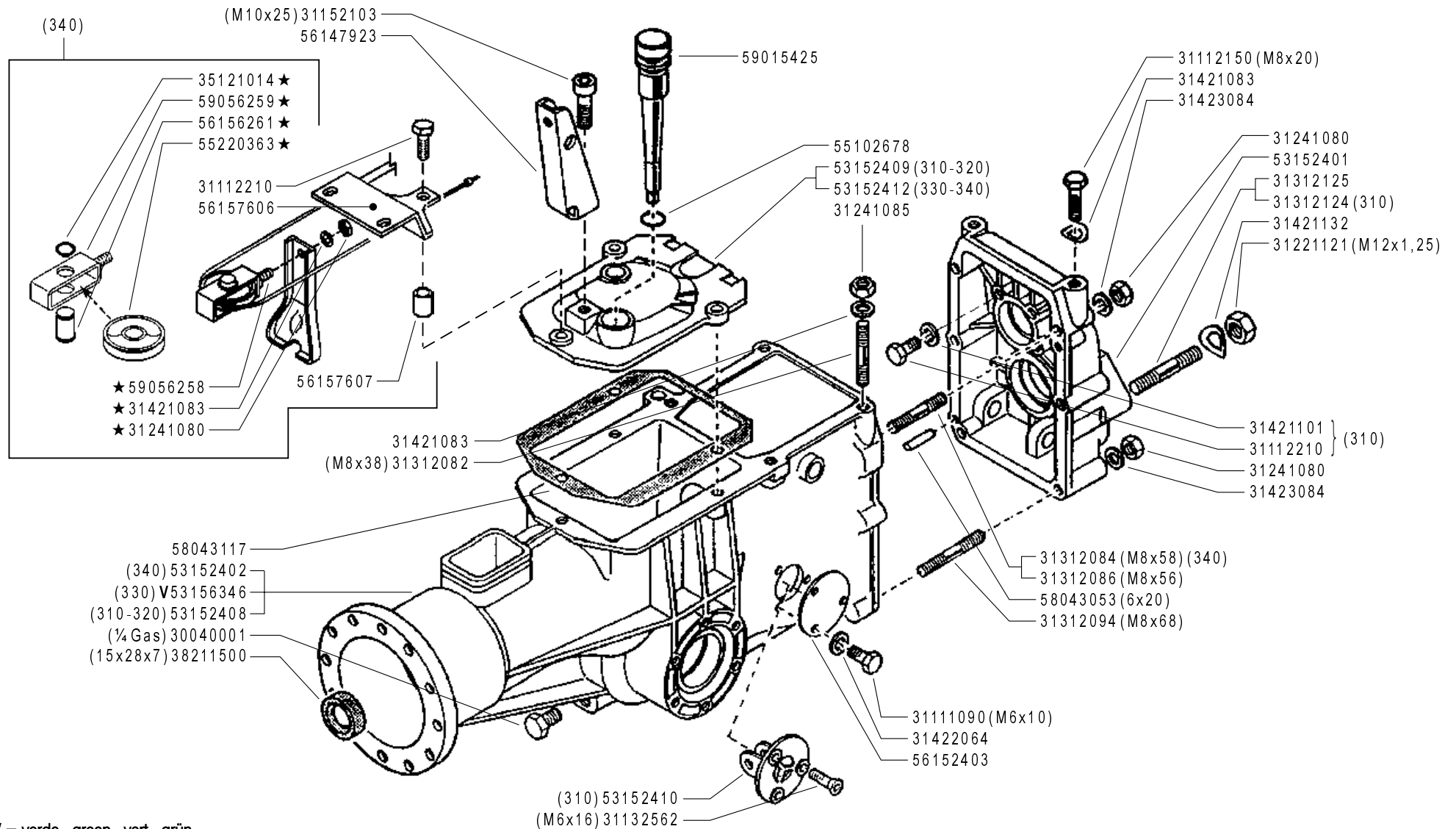
Pos.	Code	Q.ty	Description	Notes
31100003	31100003	1	SCREW TE 5/16X7/8	
31100015	31100015	1	SCREW TE 3/8X1	
31211080	31211080	1	NUT M8	
31241080	31241080	1	SELFLOCK NUT M8	
31312083	31312083	1	STUD BOLT M8X46X16X16	
31312088	31312088	1	STUD BOLT M8X40X14X14	
31423084	31423084	1	SPRING WASHER 8,4	
31423105	31423105	1	SPRING WASHER 10,5	
37112173	37112173	1	BEARING	
50956262	50956262	1	CLUTCH LEVER	
52447896	52447896	1	PRESSURE PLATE	
53156150	53156150	1	ENGINE FLANGE	
53247488	53247488	1	ENGINE FLANGE	
55147842	55147842	1	BELLOWS	
55157609	55157609	1	BELLOWS	
56147845	56147845	1	CLUTCH LEVER	
56156276	56156276	1	SLEEVE	
56156281	56156281	1	CENTRING BUSH	
56156284	56156284	1	SPACER	
56156285	56156285	1	SPACER	
59247884	59247884	1	CLUTCH ASSY	
59247924	59247924	1	CLUTCH	
59247971	59247971	1	CLUTCH	
59256255	59256255	1	CLUTCH ASSY	
59256275	59256275	1	CLUTCH ASSY	
59256279	59256279	1	CLUTCH ASSY	
59256280	59256280	1	CLUTCH ASSY	

SERIAL

CLUTCH

CODE REV

003_5_33490



V = verde - green - vert - grün

FERRARI

300 serie 95

GEARBOX
CAJA DE CAMBIO

SCATOLA CAMBIO

BOITE DE VITESSES
WECHSELGETRIEBE

DALLA MACCHINA
DE LA MAQUINA
DE LA MACHINE
FROM THE MACHINE
AB DER MASCHINE

★ N.

749391 (340)

04

Rev.
4

02/2006

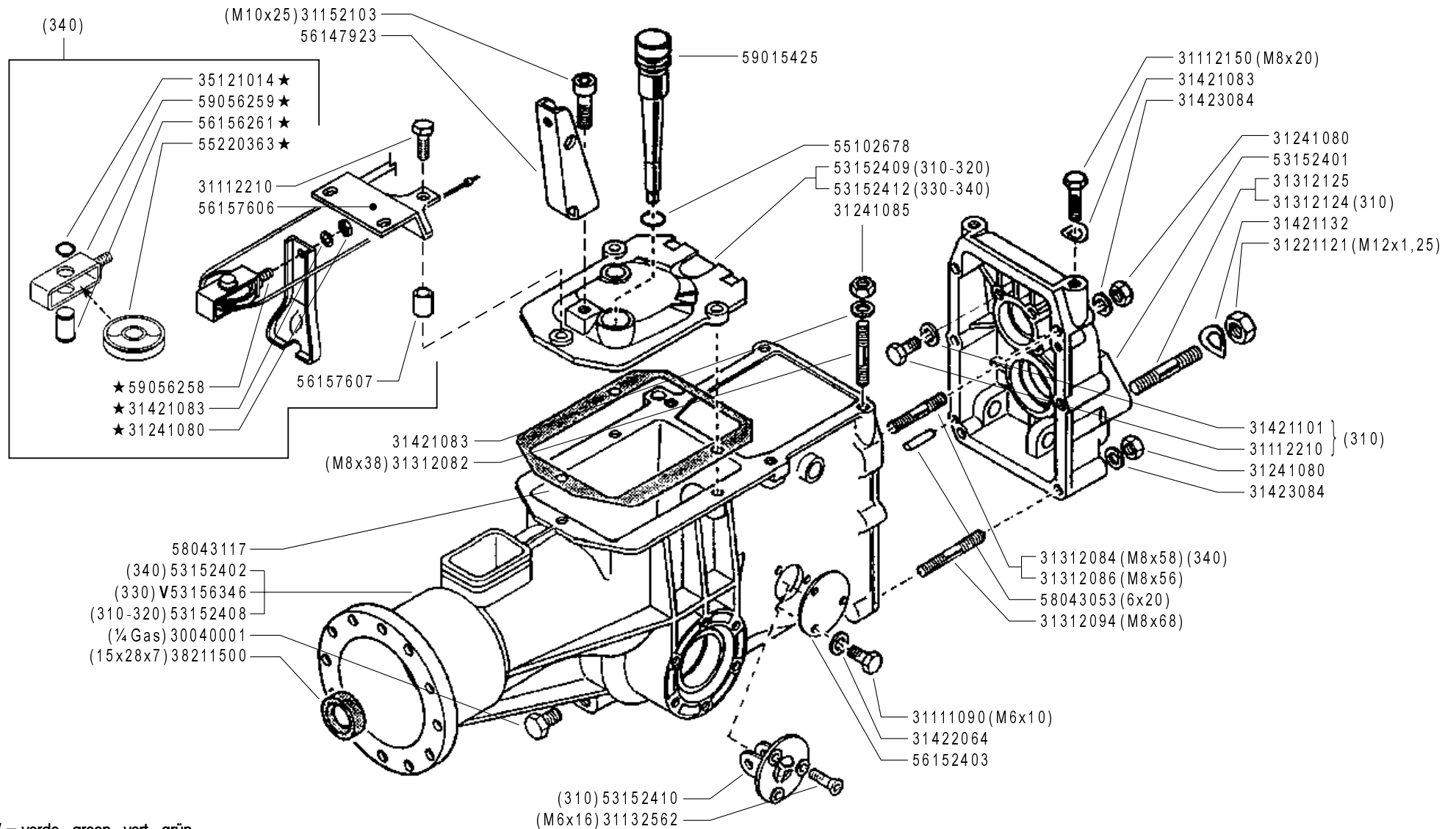
ZENNE

Pos.	Code	Q.ty	Description	Notes
30040001	30040001	1	PLUG	
31111090	31111090	1	SCREW TE M5X10 UNI 5739 8G	
31112150	31112150	1	SCREW TE M8X20 UNI 5739 8G	
31112210	31112210	1	SCREW TE M10X20 UNI 5739	
31132562	31132562	1	SCREW TSVEI M6X16 UNI 5933	
31152103	31152103	1	SCREW TCEI M10X25 UNI 5931	
31221121	31221121	1	NUT M12X1,25	
31241080	31241080	1	SELFLOCK NUT M8	
31241085	31241085	1	SELFLOCK NUT M8 6S	
31312082	31312082	1	STUD BOLT M8X38X14X20	
31312084	31312084	1	STUD BOLT M8X58X16X16	
31312086	31312086	1	STUD BOLT M8X56X20X14	
31312094	31312094	1	STUD BOLT M8X68X14X36	
31312124	31312124	1	STUD BOLT	
31312125	31312125	1	STUD BOLT	
31421083	31421083	1	WASHER	
31421101	31421101	1	WASHER	
31421132	31421132	1	WASHER 13X24X2,8	
31422064	31422064	1	SPRING WASHER 6,4	
31423084	31423084	1	SPRING WASHER 8,4	
35121014	35121014	1	SEEGER RING E 14 DIN 471	
38211500	38211500	1	OIL SEAL 15X28X7	
53152401	53152401	1	REAR COVER	
53152402	53152402	1	BODY	
53152408	53152408	1	BODY	
53152409	53152409	1	COVER	
53152410	53152410	1	GEAR SUPPORT	
53152412	53152412	1	COPERCHIO SCAT.CAMBIO DIFF.*V*	
53156346	53156346	1	BODY	
55102678	55102678	1	RUBBER RING	
55220363	55220363	1	PULLEY	
56147923	56147923	1	BRACKET	
56152403	56152403	1	COVER	
56156261	56156261	1	PIN	

SERIAL
START
749391

GEARBOX
Version: MC 340

CODE REV
004_4_25109



V = verde - green - vert - grün

FERRARI

300 serie 95

GEARBOX
CAJA DE CAMBIO

SCATOLA CAMBIO

BOITE DE VITESSES
WECHSELGETRIEBE

DALLA MACCHINA
DE LA MAQUINA
DE LA MACHINE
FROM THE MACHINE
AB DER MASCHINE

★ N.

749391 (340)

04

Rev.
4

02/2006

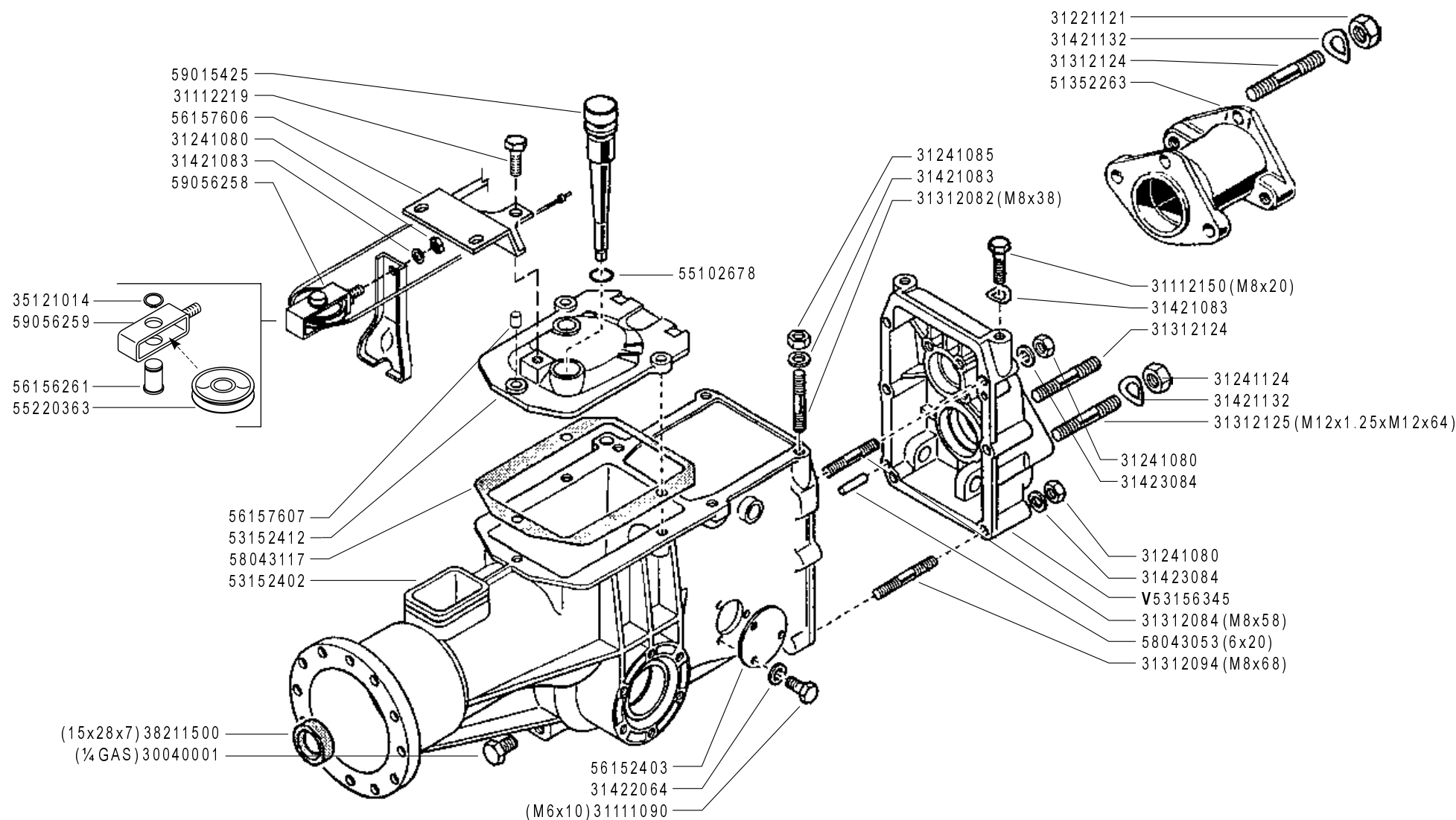
ZENNE

Pos.	Code	Q.ty	Description	Notes
56157606	56157606	1	STOP	
56157607	56157607	1	SPACER	
58043053	58043053	1	CYLINDRICAL PLUG	
58043117	58043117	1	COVER GASKET	
59015425	59015425	1	PLUG	
59056258	59056258	1	CLUTCH FORK	
59056259	59056259	1	CLUTCH FORK	

SERIAL
START
749391

GEARBOX
Version: MC 340

CODE REV
004_4_25109



V = verde - green - vert - grün

FERRARI

300 serie **95**

SCATOLA CAMBIO (346)

GEARBOX
CAJA DE CAMBIO

BOITE DE VITESSES
WECHSELGETRIEBE

DALLA MACCHINA
DE LA MAQUINA
FROM THE MACHINE
AB DER MASCHINE

N.

752002

04 A 0

02/2006

Rev.

ZENNE

Pos.	Code	Q.ty	Description	Notes
30040001	30040001	1	PLUG	
31111090	31111090	1	SCREW TE M5X10 UNI 5739 8G	
31112150	31112150	1	SCREW TE M8X20 UNI 5739 8G	
31112219	31112219	1	SCREW TE M10X25 UNI 5739	
31221121	31221121	1	NUT M12X1,25	
31241080	31241080	1	SELFLOCK NUT M8	
31241085	31241085	1	SELFLOCK NUT M8 6S	
31241124	31241124	1	SELFLOCK NUT M12x1,25	
31312082	31312082	1	STUD BOLT M8X38X14X20	
31312084	31312084	1	STUD BOLT M8X58X16X16	
31312094	31312094	1	STUD BOLT M8X68X14X36	
31312124	31312124	1	STUD BOLT	
31312125	31312125	1	STUD BOLT	
31421083	31421083	1	WASHER	
31421132	31421132	1	WASHER 13X24X2,8	
31422064	31422064	1	SPRING WASHER 6,4	
31423084	31423084	1	SPRING WASHER 8,4	
35121014	35121014	1	SEEGER RING E 14 DIN 471	
38211500	38211500	1	OIL SEAL 15X28X7	
51352263	51352263	1	CORPO PROL.MM 80 3 FORI VERDE	
53152402	53152402	1	BODY	
53152412	53152412	1	COPERCHIO SCAT.CAMBIO DIFF.*V*	
53156345	53156345	1	REAR COVER	
55102678	55102678	1	RUBBER RING	
55220363	55220363	1	PULLEY	
56152403	56152403	1	COVER	
56156261	56156261	1	PIN	
56157606	56157606	1	STOP	
56157607	56157607	1	SPACER	
58043053	58043053	1	CYLINDRICAL PLUG	
58043117	58043117	1	COVER GASKET	
59015425	59015425	1	PLUG	
59056258	59056258	1	CLUTCH FORK	
59056259	59056259	1	CLUTCH FORK	

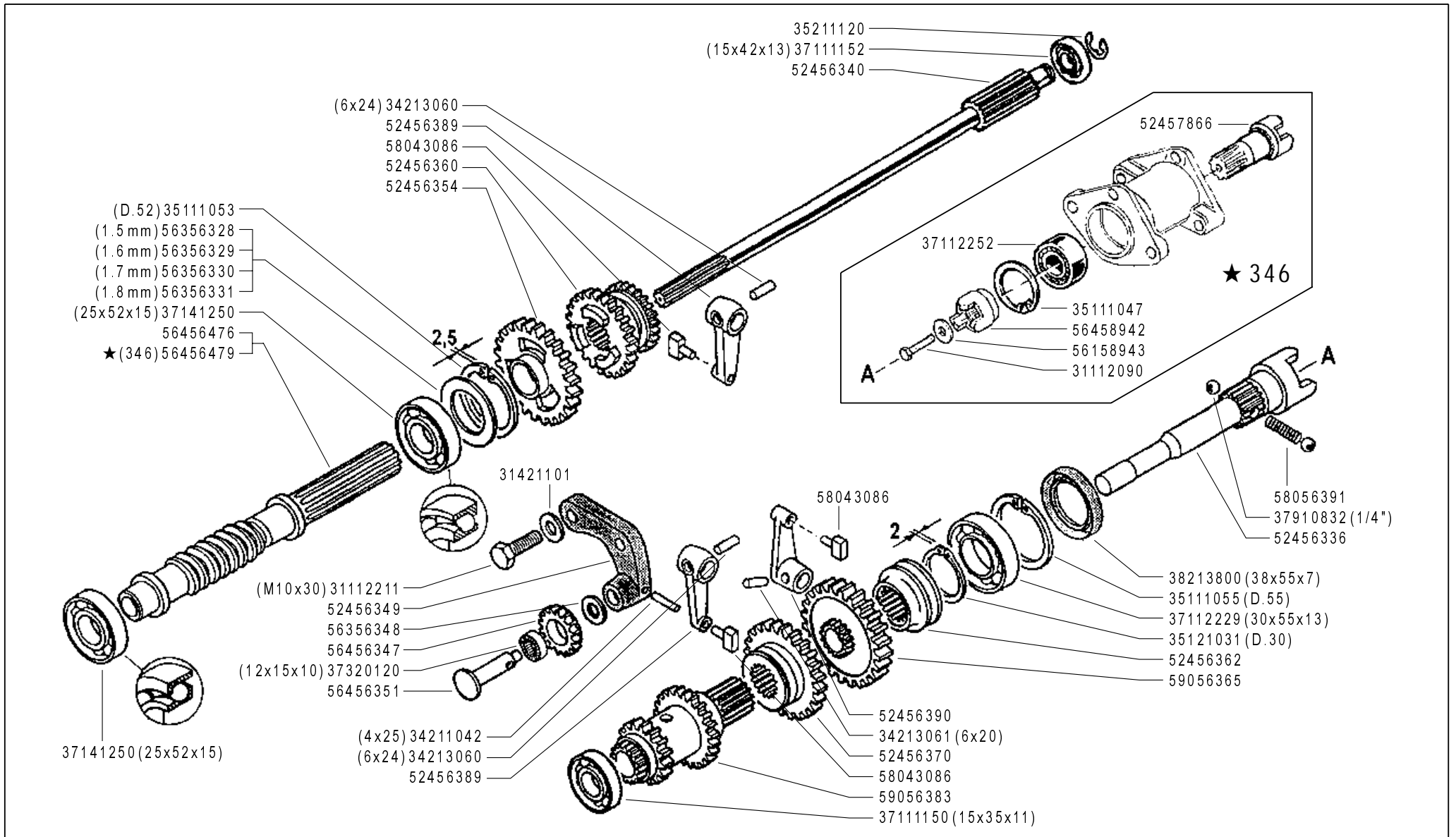
SERIAL
START
752002


GEARBOX (346)

Version: MC 346

CODE REV

04A_0_25152



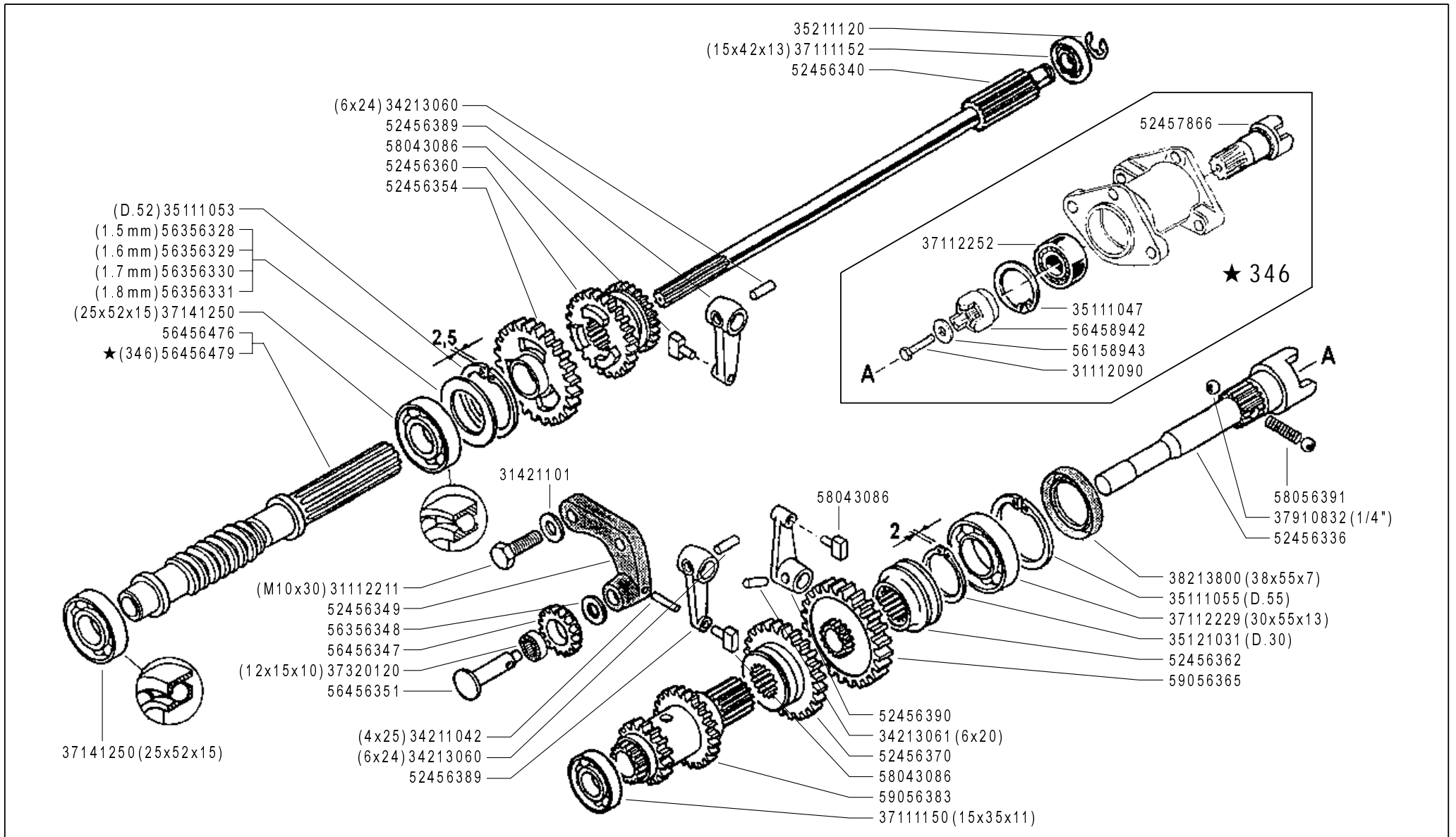
	300 serie 95	INGRANAGGI CAMBIO (340- ★ 346)		DALLA MACCHINA DE LA MAQUINA DE LA MACHINE FROM THE MACHINE AB DER MASCHINE	06	Rev. 3
		GEARS ENGRANAJES	ENGRANAGES ZAHNRÄDER		★ N.	752002 (346)

Pos.	Code	Q.ty	Description	Notes
00	35211120	1	SEEGER RING E 12 UNI 7434	
31112090	31112090	1	SCREW TE M6X16 UNI 5739 8G	
31112211	31112211	1	SCREW TE M10X30 UNI 5739	
31421101	31421101	1	WASHER	
34211042	34211042	1	ROLL PIN	
34213060	34213060	1	ROLL PIN	
34213061	34213061	1	ROLL PIN	
35111047	35111047	1	SEEGER RING I 47 DIN 472	
35111053	35111053	1	SEEGER RING I 52 UNI 7438	
35111055	35111055	1	SEEGER RING I 55 DIN 472	
35121031	35121031	1	SEEGER RING E 30 UNI 7436	
37111150	37111150	1	BEARING	
37111152	37111152	1	BEARING	
37112229	37112229	1	BEARING	
37112252	37112252	1	BEARING	
37141250	37141250	1	BEARING	
37320120	37320120	1	ROLLER CAGE 12X15/10	
37910832	37910832	1	BALL 1/4	
38213800	38213800	1	OIL SEAL 38X55X7	
52456336	52456336	1	PTO SHAFT	
52456340	52456340	1	SHAFT	
52456349	52456349	1	GEAR SUPPORT	
52456354	52456354	1	GEAR	
52456360	52456360	1	SLIDER	
52456362	52456362	1	COUPLING	
52456370	52456370	1	SLIDER	
52456389	52456389	1	LEVER	
52456390	52456390	1	LEVER	
52457866	52457866	1	SHAFT	
56158943	56158943	1	WASHER 7,0x25/2	
56356328	56356328	1	ADJUSTING RING SP=1,5	
56356329	56356329	1	ADJUSTING RING SP=1,6	
56356330	56356330	1	ADJUSTING RING SP=1,7	
56356331	56356331	1	ADJUSTING RING SP=1,8	

SERIAL
START
752002

GEARS (340 - 346)
Version: MC 340, MC 346

CODE REV
006_3_25213



FERRARI

300 serie **95**

INGRANAGGI CAMBIO (340- ★ 346)

GEARS
ENGRANAJES

ENGRANAGES
ZÄHRÄDER

DALLA MACCHINA
DE LA MAQUINA
DE LA MACHINE
FROM THE MACHINE
AB DER MASCHINE

★ N.

752002 (346)

06

Rev.
3

02/2006

ZENNE

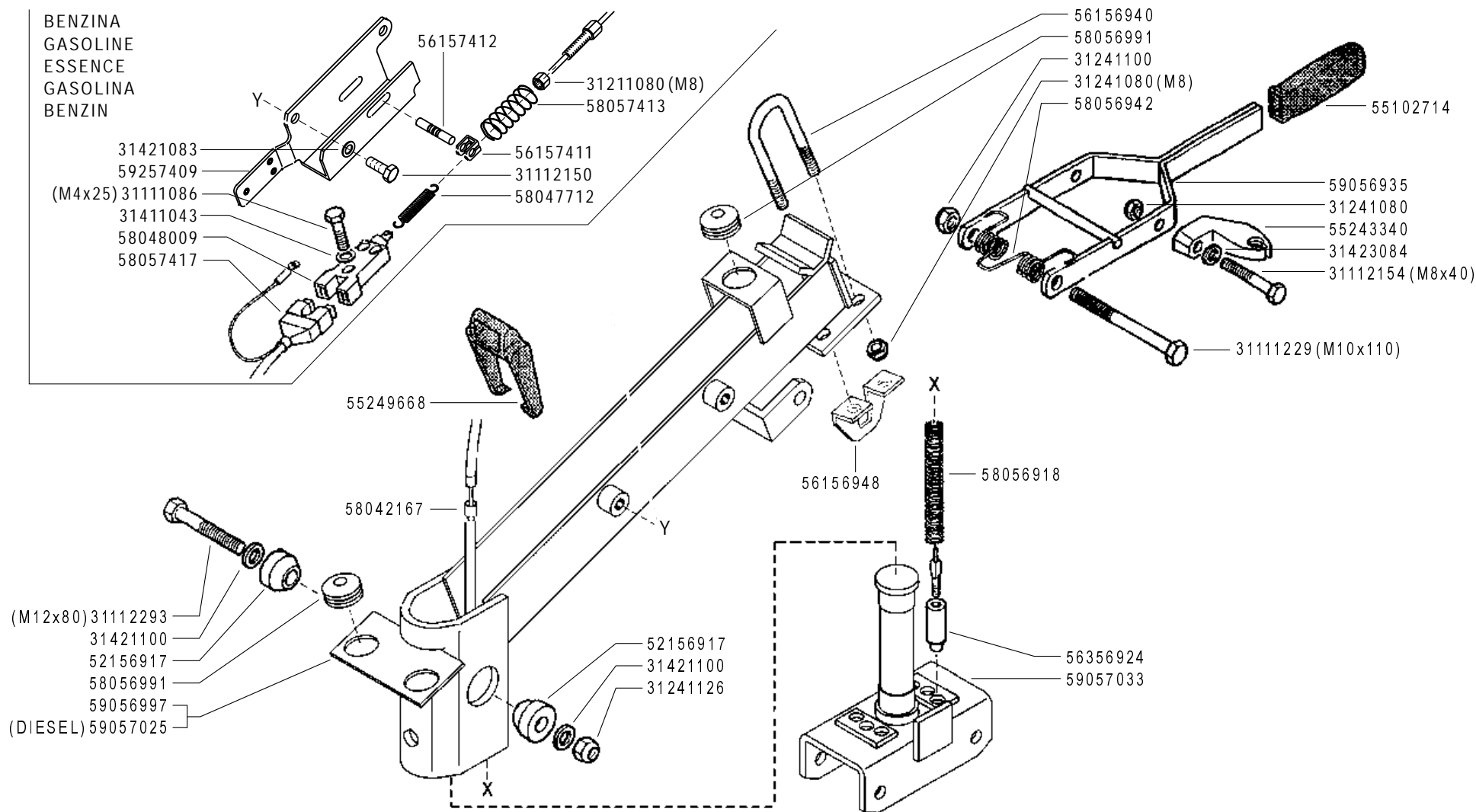
Pos.	Code	Q.ty	Description	Notes
56356348	56356348	1	ADJUSTING RING	
56456347	56456347	1	GEAR	
56456351	56456351	1	GEAR PIN	
56456476	56456476	1	SCREW	
56456479	56456479	1	SCREW	
56458942	56458942	1	COUPLING	
58043086	58043086	1	SHOE	
58056391	58056391	1	SPRING	
59056365	59056365	1	PTO GEAR	
59056383	59056383	1	TRIPLE GEAR	

SERIAL
START
752002

GEARS (340 - 346)
Version: MC 340, MC 346

CODE REV
006_3_25213

BENZINA
GASOLINE
ESSENCE
GASOLINA
BENZIN



FERRARI

300 serie 95

PIANTONE (340-346) ★

STEERING COLUMN
COLUMNA

PLANTON
LENKSÄULE

DALLA MACCHINA
DE LA MAQUINA
DE LA MACHINE
FROM THE MACHINE
AB DER MASCHINE

★ N.

752002 (346)

749391 (340)

11

Rev.
4

02/2006

ZENNE

Pos.	Code	Q.ty	Description	Notes
31111086	31111086	1	SCREW TE M4X25 UNI 5739 8G	
31111229	31111229	1	SCREW TE M10X110 UNI 5737 8G	
31112150	31112150	1	SCREW TE M8X20 UNI 5739 8G	
31112154	31112154	1	SCREW TE M8X40 UNI 5739 8G	
31112293	31112293	1	SCREW TE M12X80 UNI 5737	
31211080	31211080	1	NUT M8	
31241080	31241080	1	SELFLOCK NUT M8	
31241100	31241100	1	SELFLOCK NUT M10 6S	
31241126	31241126	1	SELFLOCK NUT M12	
31411043	31411043	1	WASHER 4,3X9	
31421083	31421083	1	WASHER	
31421100	31421100	1	CUP SPRING	
31423084	31423084	1	SPRING WASHER 8,4	
52156917	52156917	1	WEDGE	
55102714	55102714	1	KNOB	
55243340	55243340	1	SUPPORT	
55249668	55249668	1	PASSING	
56156940	56156940	1	U BOLT	
56156948	56156948	1	STOP	
56157411	56157411	1	FORK	
56157412	56157412	1	PIN	
56356924	56356924	1	FERRULE	
58042167	58042167	1	SHEATH TERMINAL	
58047712	58047712	1	SPRING	
58048009	58048009	1	SWITCH	
58056918	58056918	1	SPRING	
58056942	58056942	1	SPRING	
58056991	58056991	1	CABLE GLAND	
58057413	58057413	1	RETAINING SPRING	
58057417	58057417	1	WIRING	
59056935	59056935	1	LEVER	
59056997	59056997	1	COLUMN	
59057025	59057025	1	COLUMN	
59057033	59057033	1	CONNECTION	

SERIAL

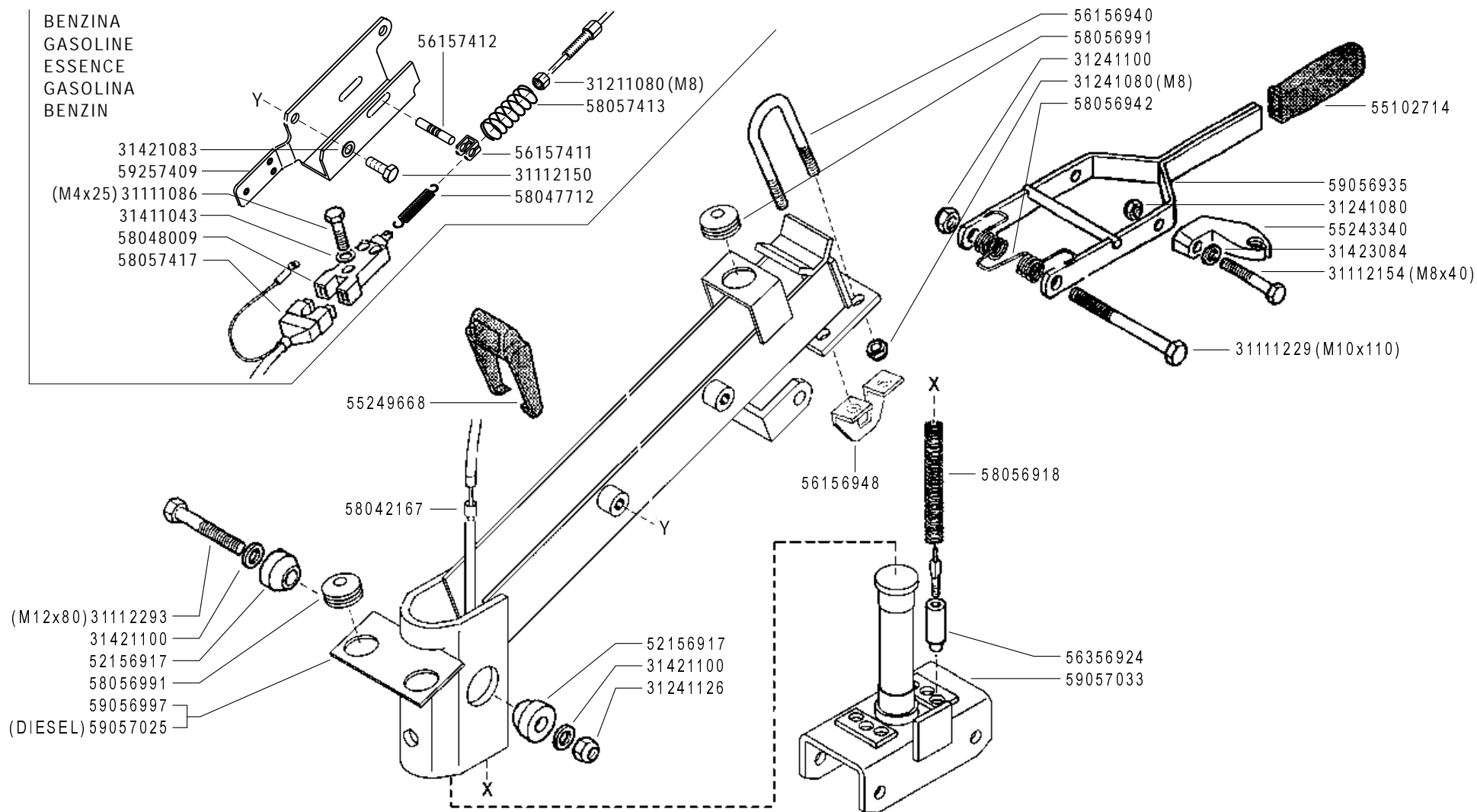
STEERING COLUMN (340-346)

Version: MC 346, MC 340

CODE REV

011_4_25304

BENZINA
GASOLINE
ESSENCE
GASOLINA
BENZIN



FERRARI

300 serie 95

PIANTONE (340-346) ★

STEERING COLUMN
COLUMNA

PLANTON
LENKSÄULE

DALLA MACCHINA
DE LA MAQUINA
DE LA MACHINE
FROM THE MACHINE
AB DER MASCHINE

★ N.

752002 (346)

749391 (340)

11

Rev.
4

02/2006

ZENNE

Pos.	Code	Q.ty	Description	Notes
59257409	59257409	1	SUPPORT	

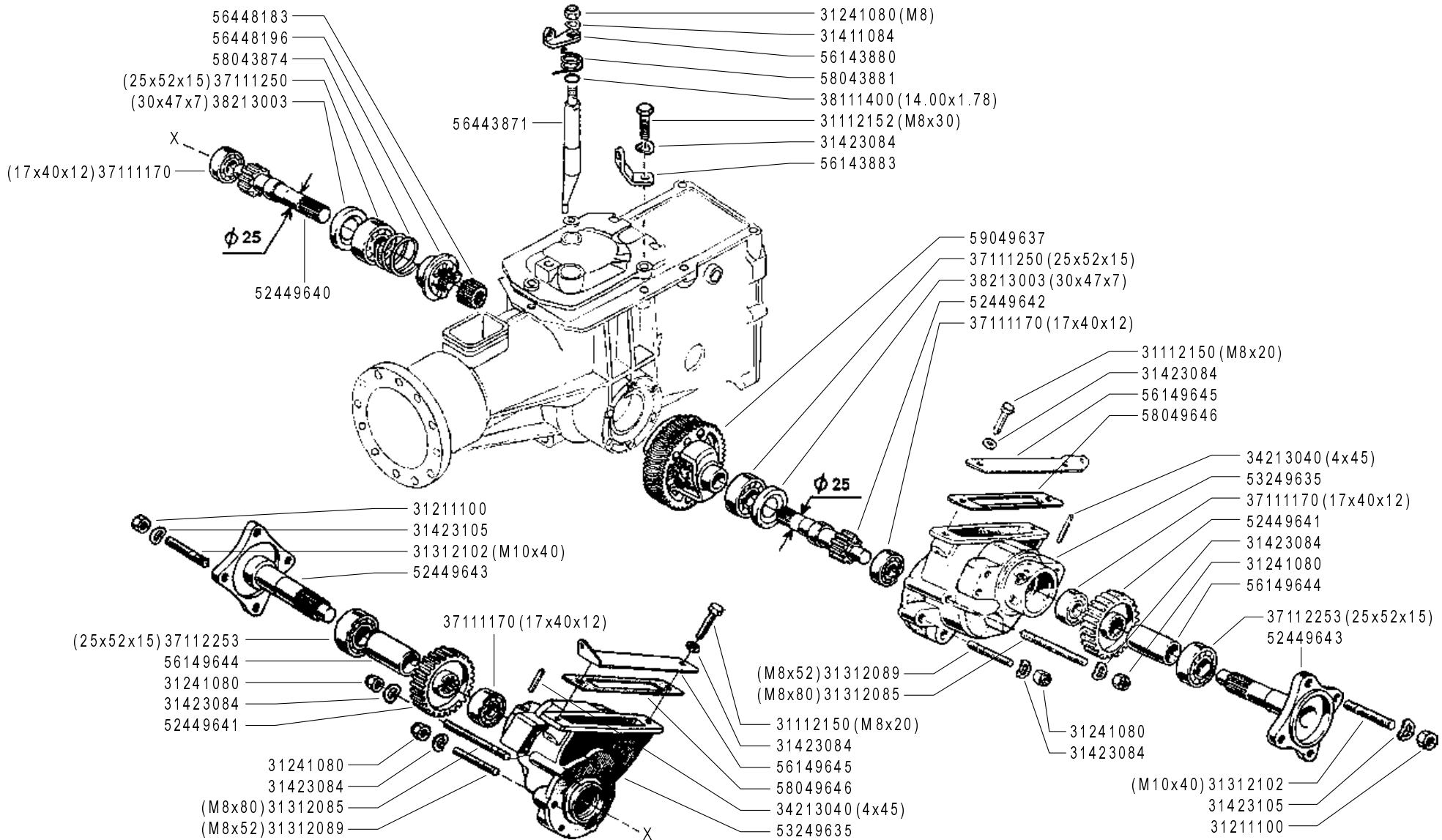
SERIAL

STEERING COLUMN (340-346)

Version: MC 346, MC 340

CODE REV

011_4_25304



FERRARI

300 serie **95**

DIFFERENZIALE (346)

DIFFERENTIAL
DIFFERENCIAL

DIFFÉRENTIEL
DIFFERENTIAL

DALLA MACCHINA
DE LA MAQUINA
FROM THE MACHINE
AB DER MASCHINE

N.

752002

09 A 0

02/2006

Rev.

ZENNE

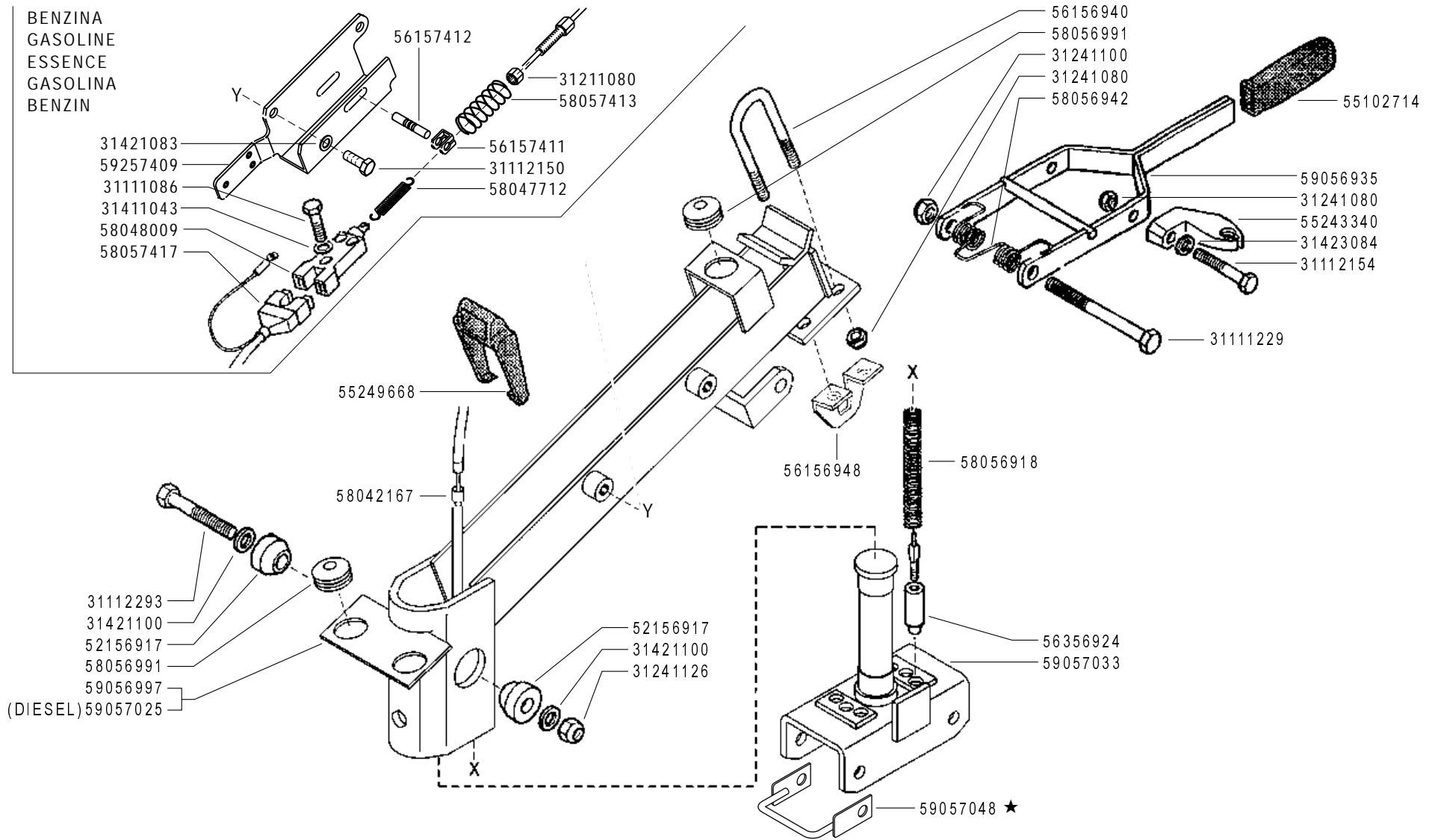
Pos.	Code	Q.ty	Description	Notes
31112150	31112150	1	SCREW TE M8X20 UNI 5739 8G	
31112152	31112152	1	SCREW TE M8X30 UNI 5739 8G	
31211100	31211100	1	NUT M10	
31241080	31241080	1	SELFLOCK NUT M8	
31312085	31312085	1	STUD BOLT M8X80X28X16	
31312089	31312089	1	STUD BOLT M8x52x14x18	
31312102	31312102	1	STUD BOLT M10X40X24X12	
31411084	31411084	1	WASHER 8,4x17	
31423084	31423084	1	SPRING WASHER 8,4	
31423105	31423105	1	SPRING WASHER 10,5	
34213040	34213040	1	ROLL PIN	
37111170	37111170	1	BEARING	
37111250	37111250	1	BEARING	
37112253	37112253	1	BEARING	
38111400	38111400	1	O-RING 2056 (14,00X1,78)	
38213003	38213003	1	OIL SEAL 30X47X7	
52449640	52449640	1	REDUCTION SHAFT	
52449641	52449641	1	GEAR	
52449642	52449642	1	REDUCTION SHAFT	
52449643	52449643	1	AXLE SHAFT	
53249635	53249635	1	REDUCTION BOX	
56143880	56143880	1	SMALL LEVER	
56143883	56143883	1	STOP	
56149644	56149644	1	SPACER	
56149645	56149645	1	COVER	
56443871	56443871	1	ROD	
56448183	56448183	1	SPACER	
56448196	56448196	1	COUPLING	
58043874	58043874	1	SPRING	
58043881	58043881	1	SPRING	
58049646	58049646	1	COVER GASKET	
59049637	59049637	1	DIFFERENTIAL GEAR	

SERIAL
START
752002

DIFFERENTIAL (346)

CODE REV
09A_0_25271

BENZINA
GASOLINE
ESSENCE
GASOLINA
BENZIN



PIANTONE (340-346)

STEERING COLUMN
COLUMNNA

PLANTON
LENKSÄULE

DALLA MACCHINA
DE LA MAQUINA
DE LA MACHINE
FROM THE MACHINE
AB DER MASCHINE

AGGIORNAMENTO
REVISION
MISE A JOUR
APLAZAMIENTO
ANPASSUNG

★ N.

11

Rev.
5

06/2006

ZENNE

FERRARI

300 serie 95

Pos.	Code	Q.ty	Description	Notes
31111086	31111086	1	SCREW TE M4X25 UNI 5739 8G	
31111229	31111229	1	SCREW TE M10X110 UNI 5737 8G	
31112150	31112150	1	SCREW TE M8X20 UNI 5739 8G	
31112154	31112154	1	SCREW TE M8X40 UNI 5739 8G	
31112293	31112293	1	SCREW TE M12X80 UNI 5737	
31211080	31211080	1	NUT M8	
31241080	31241080	1	SELFLOCK NUT M8	
31241100	31241100	1	SELFLOCK NUT M10 6S	
31241126	31241126	1	SELFLOCK NUT M12	
31411043	31411043	1	WASHER 4,3X9	
31421083	31421083	1	WASHER	
31421100	31421100	1	CUP SPRING	
31423084	31423084	1	SPRING WASHER 8,4	
52156917	52156917	1	WEDGE	
55102714	55102714	1	KNOB	
55243340	55243340	1	SUPPORT	
55249668	55249668	1	PASSING	
56156940	56156940	1	U BOLT	
56156948	56156948	1	STOP	
56157411	56157411	1	FORK	
56157412	56157412	1	PIN	
56356924	56356924	1	FERRULE	
58042167	58042167	1	SHEATH TERMINAL	
58047712	58047712	1	SPRING	
58048009	58048009	1	SWITCH	
58056918	58056918	1	SPRING	
58056942	58056942	1	SPRING	
58056991	58056991	1	CABLE GLAND	
58057413	58057413	1	RETAINING SPRING	
58057417	58057417	1	WIRING	
59056935	59056935	1	LEVER	
59056997	59056997	1	COLUMN	
59057025	59057025	1	COLUMN	
59057033	59057033	1	CONNECTION	

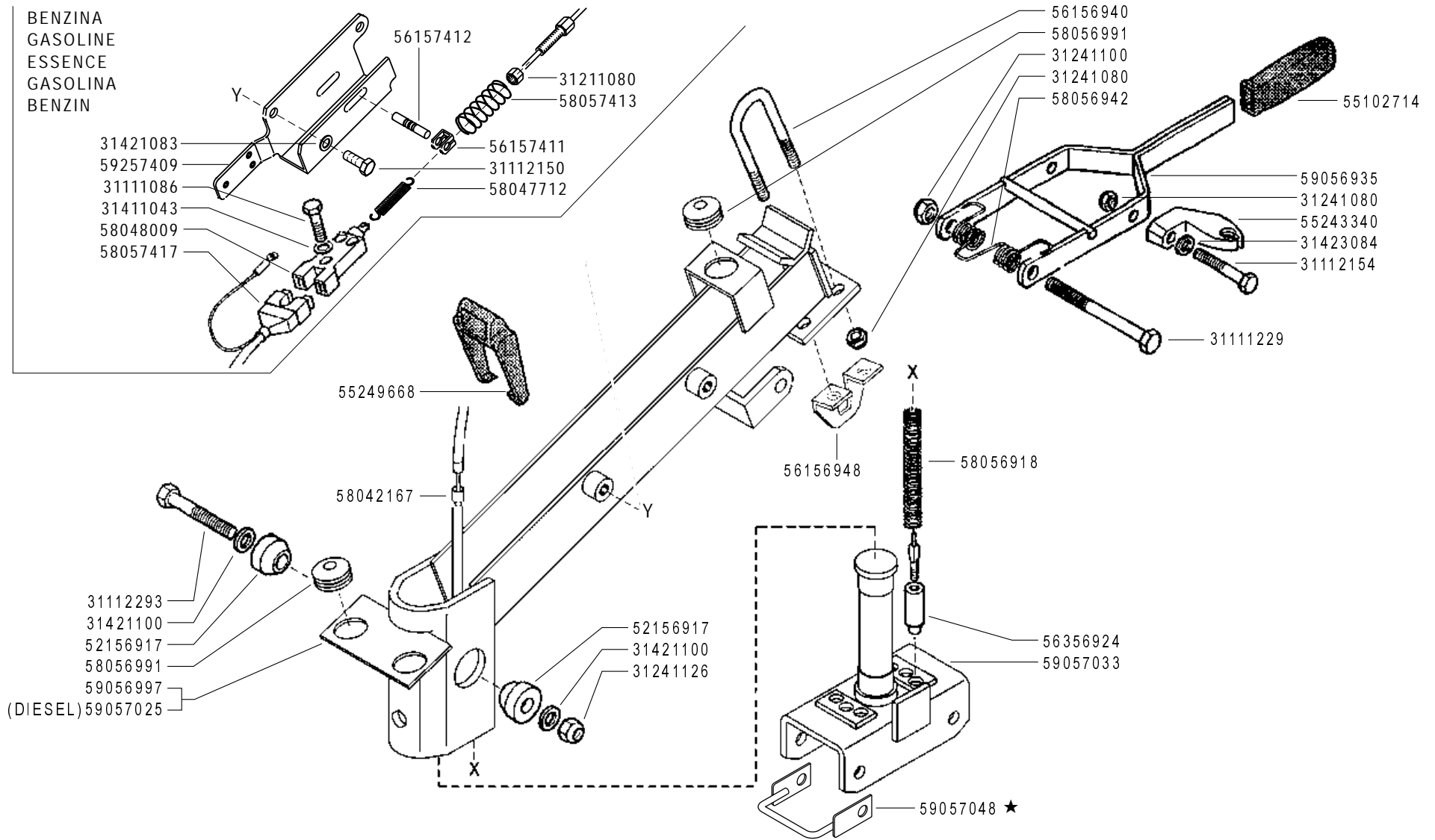
SERIAL

STEERING COLUMN (340-346)

CODE REV

011_5_32699

BENZINA
GASOLINE
ESSENCE
GASOLINA
BENZIN



PIANTONE (340-346)

STEERING COLUMN
COLUMNNA

PLANTON
LENKSÄULE

DALLA MACCHINA
DE LA MAQUINA
DE LA MACHINE
FROM THE MACHINE
AB DER MASCHINE

AGGIORNAMENTO

REVISION

MISE A JOUR

APLAZAMIENTO

ANPASSUNG

Rev.

11

5

06/2006

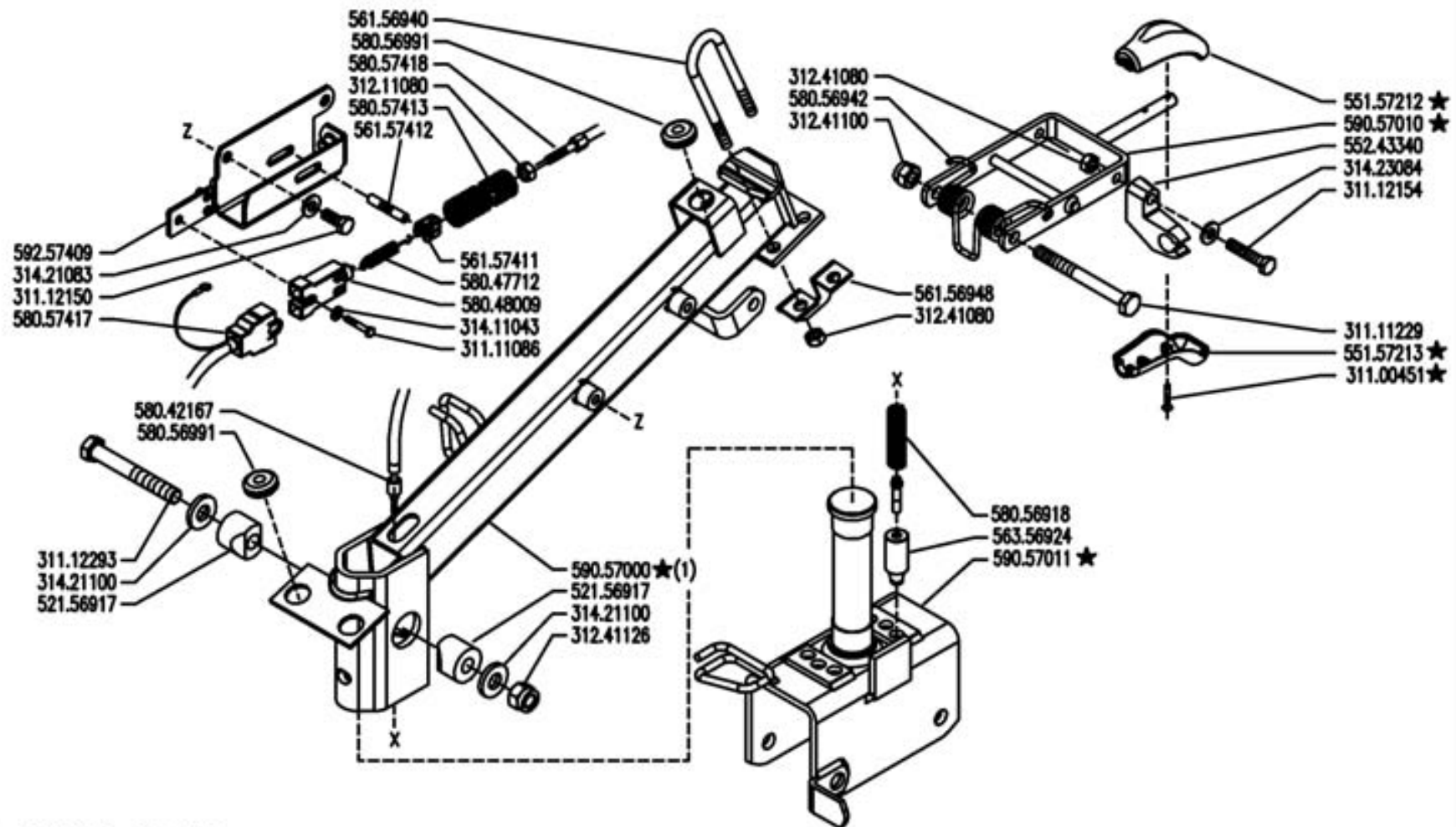
★ N.

ZENNE

FERRARI

300 serie 95

Pos.	Code	Q.ty	Description	Notes
59057048	59057048	1	SHEATH FASTENER	
59257409	59257409	1	SUPPORT	



(1) sostituisce 590.56997 e 590.57025

FERRARI

300 serie 95

PIANTONE (340-346)

STEERING COLUMN
COLUMNNA

PLANTON
LENKSÄULE

DALLA MACCHINA
DE LA MACCHINA
FROM THE MACHINE
AB DER MASCHINE

★ N.

783462

11

Rev.
6

01/2007

INT

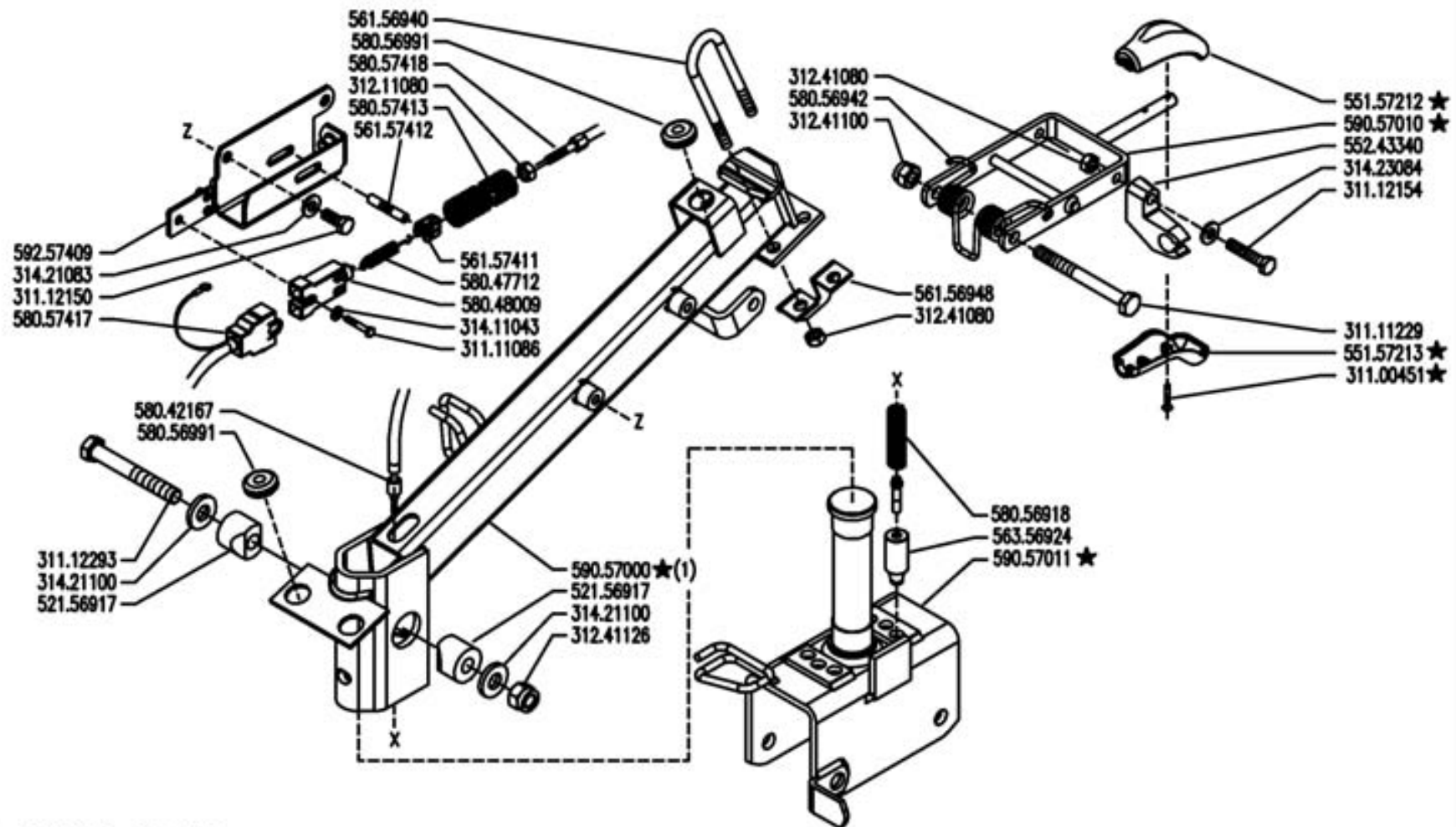
Pos.	Code	Q.ty	Description	Notes
31100451	31100451	1	SCREW 3,5X25	
31111086	31111086	1	SCREW TE M4X25 UNI 5739 8G	
31111229	31111229	1	SCREW TE M10X110 UNI 5737 8G	
31112150	31112150	1	SCREW TE M8X20 UNI 5739 8G	
31112154	31112154	1	SCREW TE M8X40 UNI 5739 8G	
31112293	31112293	1	SCREW TE M12X80 UNI 5737	
31211080	31211080	1	NUT M8	
31241080	31241080	1	SELFLOCK NUT M8	
31241100	31241100	1	SELFLOCK NUT M10 6S	
31241126	31241126	1	SELFLOCK NUT M12	
31411043	31411043	1	WASHER 4,3X9	
31421083	31421083	1	WASHER	
31421100	31421100	1	CUP SPRING	
31423084	31423084	1	SPRING WASHER 8,4	
52156917	52156917	1	WEDGE	
55157212	55157212	1	GRIP	
55157213	55157213	1	GRIP	
55243340	55243340	1	SUPPORT	
56156940	56156940	1	U BOLT	
56156948	56156948	1	STOP	
56157411	56157411	1	FORK	
56157412	56157412	1	PIN	
56356924	56356924	1	FERRULE	
58042167	58042167	1	SHEATH TERMINAL	
58047712	58047712	1	SPRING	
58048009	58048009	1	SWITCH	
58056918	58056918	1	SPRING	
58056942	58056942	1	SPRING	
58056991	58056991	1	CABLE GLAND	
58057413	58057413	1	RETAINING SPRING	
58057417	58057417	1	WIRING	
59057000	59057000	1	COLUMN	
59057010	59057010	1	LEVER	
59057011	59057011	1	CONNECTION	

SERIAL
START
783462

END
794195

STEERING COLUMN (340-346)

CODE REV
011_6_33168



(1) sostituisce 590.56997 e 590.57025

FERRARI

300 serie 95

PIANTONE (340-346)

STEERING COLUMN
COLUMNNA

PLANTON
LENKSÄULE

DALLA MACCHINA
DE LA MACCHINA
FROM THE MACHINE
AB DER MASCHINE

★ N.

783462

11

Rev.
6

01/2007

INT

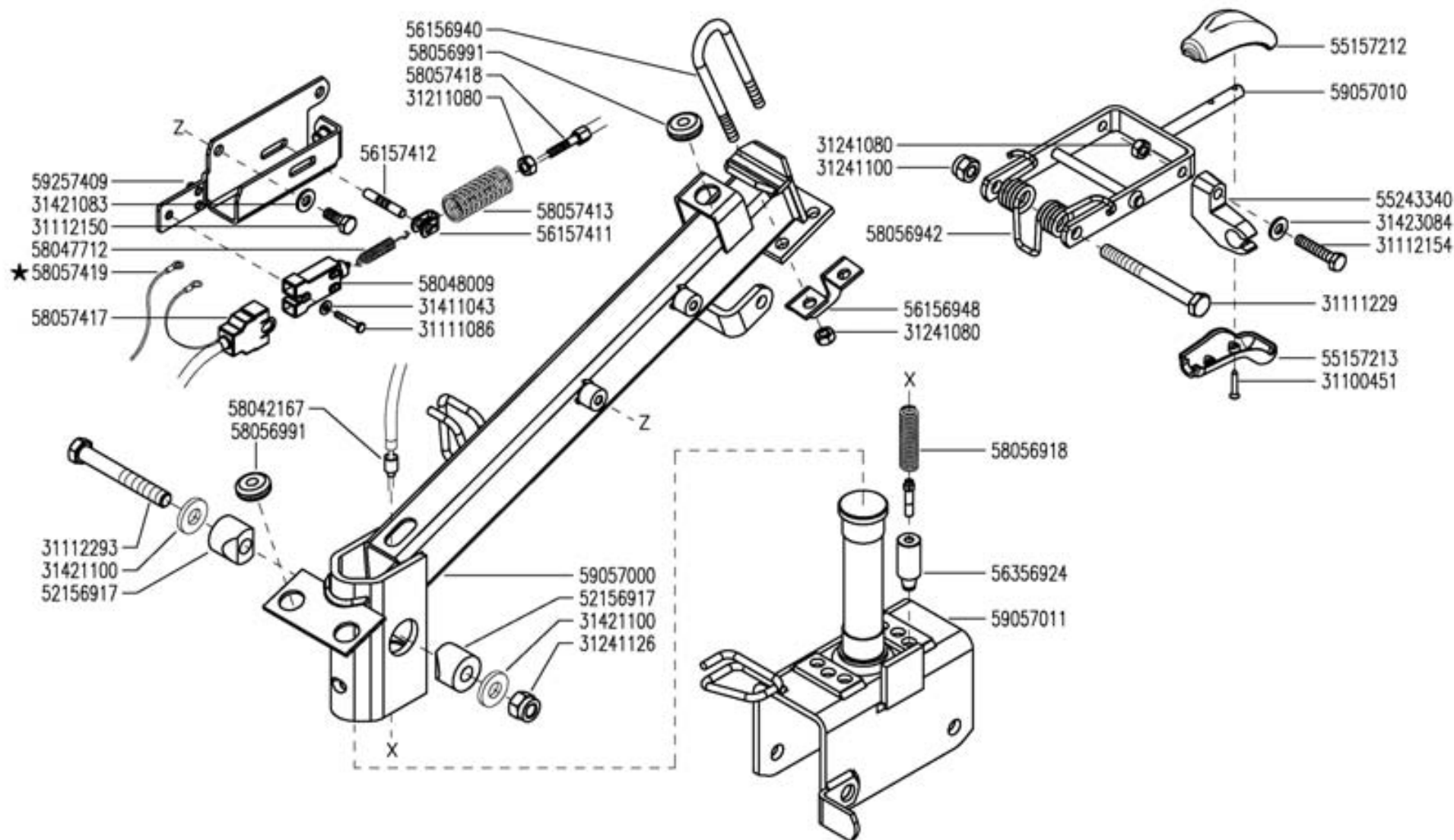
Pos.	Code	Q.ty	Description	Notes
59257409	59257409	1	SUPPORT	

SERIAL
START
783462

END
794195

STEERING COLUMN (340-346)

CODE REV
011_6_33168



FERRARI

300 serie 95

PIANTONE (340 - 346)

STEERING COLUMN
COLUMNA

PLANTON
LENKSÄULE

DALLA MACCHINA
DE LA MACQUINA
DE LA MACHINE
FROM THE MACHINE
AB DER MASCHINE

★ N.

794196

11

Rev.
7

06/2007

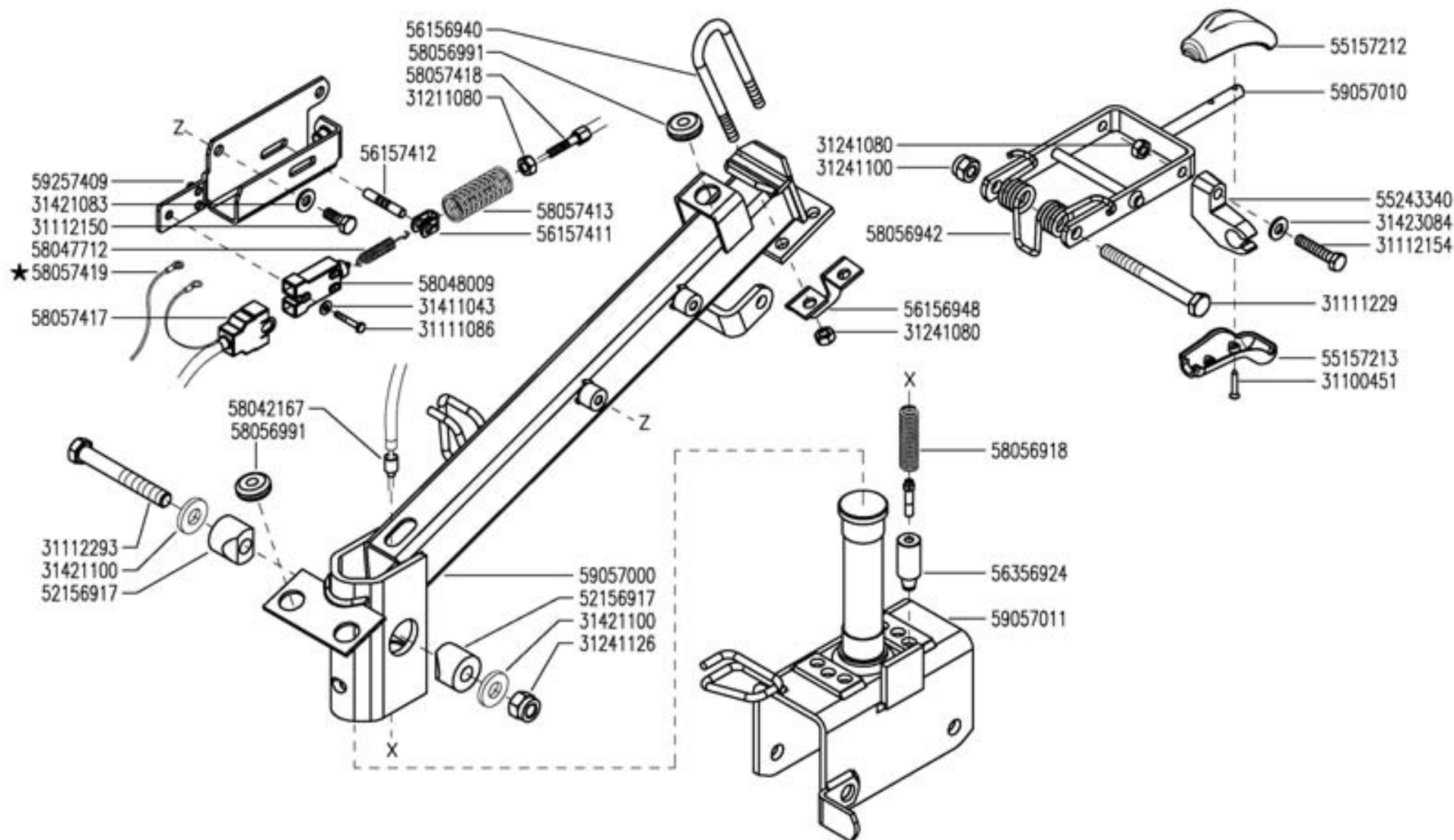
ZFINF

Pos.	Code	Q.ty	Description	Notes
31100451	31100451	1	SCREW 3,5X25	
31111086	31111086	1	SCREW TE M4X25 UNI 5739 8G	
31111229	31111229	1	SCREW TE M10X110 UNI 5737 8G	
31112150	31112150	1	SCREW TE M8X20 UNI 5739 8G	
31112154	31112154	1	SCREW TE M8X40 UNI 5739 8G	
31112293	31112293	1	SCREW TE M12X80 UNI 5737	
31211080	31211080	1	NUT M8	
31241080	31241080	1	SELFLOCK NUT M8	
31241100	31241100	1	SELFLOCK NUT M10 6S	
31241126	31241126	1	SELFLOCK NUT M12	
31411043	31411043	1	WASHER 4,3X9	
31421083	31421083	1	WASHER	
31421100	31421100	1	CUP SPRING	
31423084	31423084	1	SPRING WASHER 8,4	
52156917	52156917	1	WEDGE	
55157212	55157212	1	GRIP	
55157213	55157213	1	GRIP	
55243340	55243340	1	SUPPORT	
56156940	56156940	1	U BOLT	
56156948	56156948	1	STOP	
56157411	56157411	1	FORK	
56157412	56157412	1	PIN	
56356924	56356924	1	FERRULE	
58042167	58042167	1	SHEATH TERMINAL	
58047712	58047712	1	SPRING	
58048009	58048009	1	SWITCH	
58056918	58056918	1	SPRING	
58056942	58056942	1	SPRING	
58056991	58056991	1	CABLE GLAND	
58057413	58057413	1	RETAINING SPRING	
58057417	58057417	1	WIRING	
58057419	58057419	1	WIRING	
59057000	59057000	1	COLUMN	
59057010	59057010	1	LEVER	

SERIAL
START
794196

STEERING COLUMN (340-346)

CODE REV
011_7_63924



FERRARI

300 serie 95

PIANTONE (340 - 346)

STEERING COLUMN
COLUMNA

PLANTON
LENKSÄULE

DALLA MACCHINA
DE LA MACQUINA
DE LA MACHINE
FROM THE MACHINE
AB DER MASCHINE

★ N.

794196

11

Rev.
7

06/2007

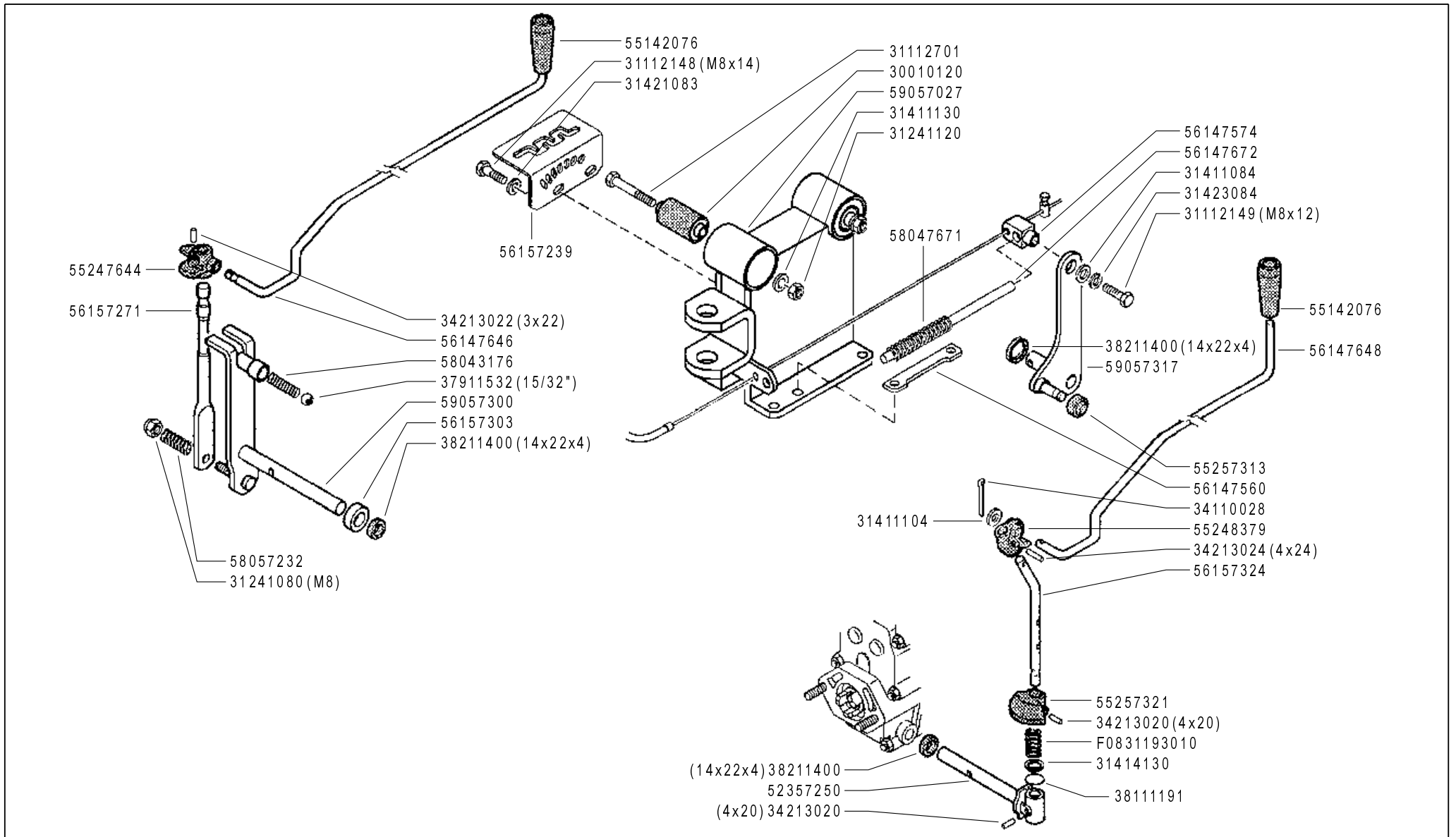
ZFINF

Pos.	Code	Q.ty	Description	Notes
59057011	59057011	1	CONNECTION	
59257409	59257409	1	SUPPORT	

SERIAL
START
794196

STEERING COLUMN (340-346)

CODE REV
011_7_63924



FERRARI

300 serie **95**

CONTROLS
MANDOS

COMANDI (340-346) ★

COMMANDES
ANTRIEBE

DALLA MACCHINA
DE LA MAQUINA
FROM THE MACHINE
AB DER MASCHINE

★ N.

752002 (346)

749391 (340)

11 A 0

02/2006

Rev.

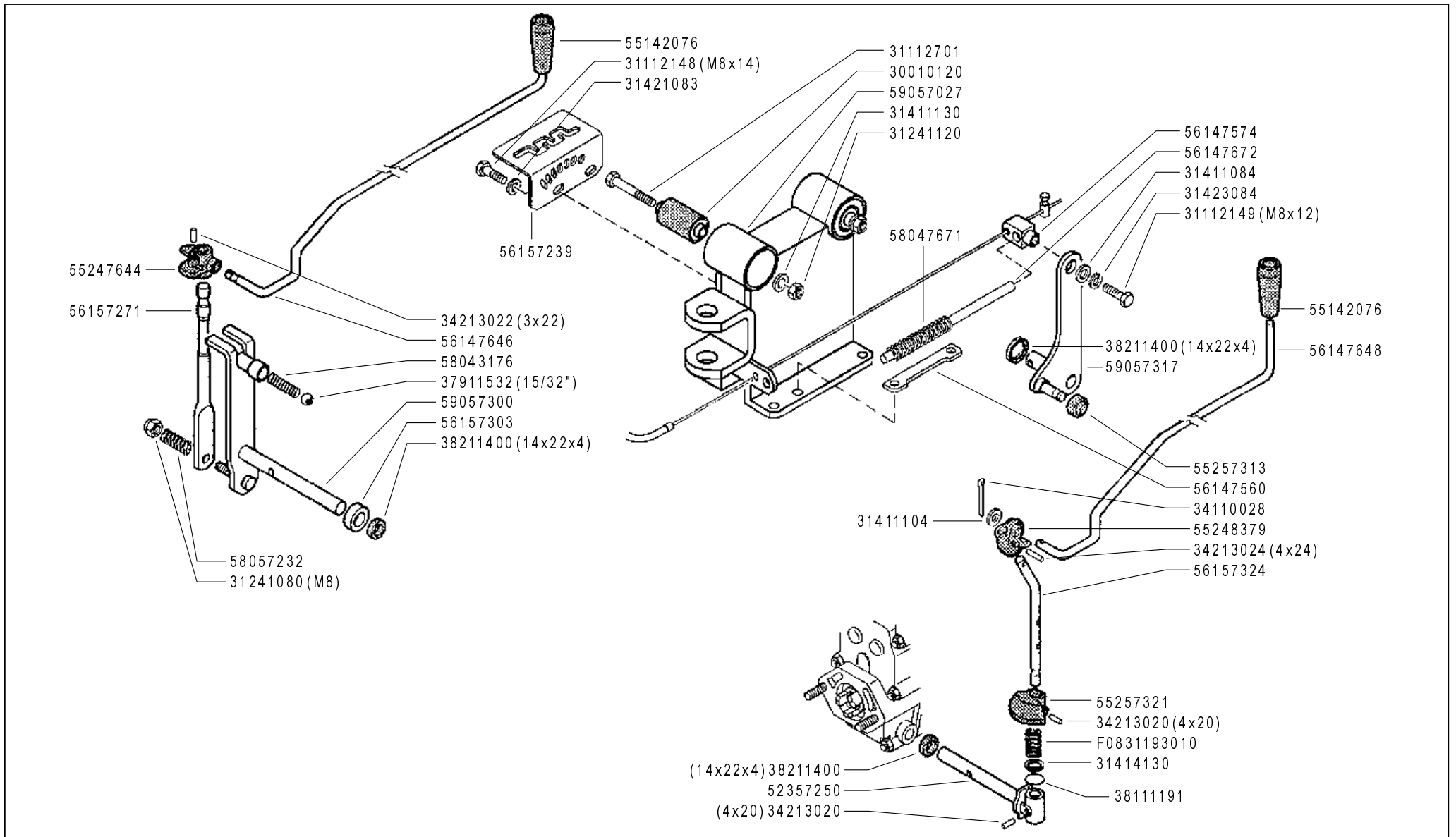
ZENNE


Pos.	Code	Q.ty	Description	Notes
30010120	30010120	1	SILENT-BLOCK 12X40X58X66	
31112148	31112148	1	SCREW TE M8X18 UNI 5739 8G	
31112149	31112149	1	SCREW TE M8X12 UNI 5739 8G	
31112701	31112701	1	SCREW TE M12X100 UNI 5737	
31241080	31241080	1	SELFLOCK NUT M8	
31241120	31241120	1	SELFLOCK NUT M12	
31411084	31411084	1	WASHER 8,4x17	
31411104	31411104	1	WASHER 10,5x18	
31411130	31411130	1	WASHER 13x24	
31414130	31414130	1	WASHER 13	
31421083	31421083	1	WASHER	
31423084	31423084	1	SPRING WASHER 8,4	
34110028	34110028	1	SPLIT PIN	
34213020	34213020	1	ROLL PIN	
34213022	34213022	1	ROLL PIN	
34213024	34213024	1	ROLL PIN	
37911532	37911532	1	BALL 15/32	
38111191	38111191	1	O-RING 115 (11,91X2,62)	
38211400	38211400	1	OIL SEAL 14X22X4	
52357250	52357250	1	PIN	
55142076	55142076	1	KNOB	
55247644	55247644	1	JOINT	
55248379	55248379	1	JOINT	
55257313	55257313	1	ROLLER	
55257321	55257321	1	STOP	
56147560	56147560	1	STOP	
56147574	56147574	1	SMALL BLOCK	
56147646	56147646	1	PULL ROD	
56147672	56147672	1	GUIDE PIN	
56157239	56157239	1	GEAR SELECTOR	
56157271	56157271	1	COMMAND LEVER	
56157303	56157303	1	SPACER	
56157324	56157324	1	PTO LEVER	
58043176	58043176	1	SPRING	

SERIAL

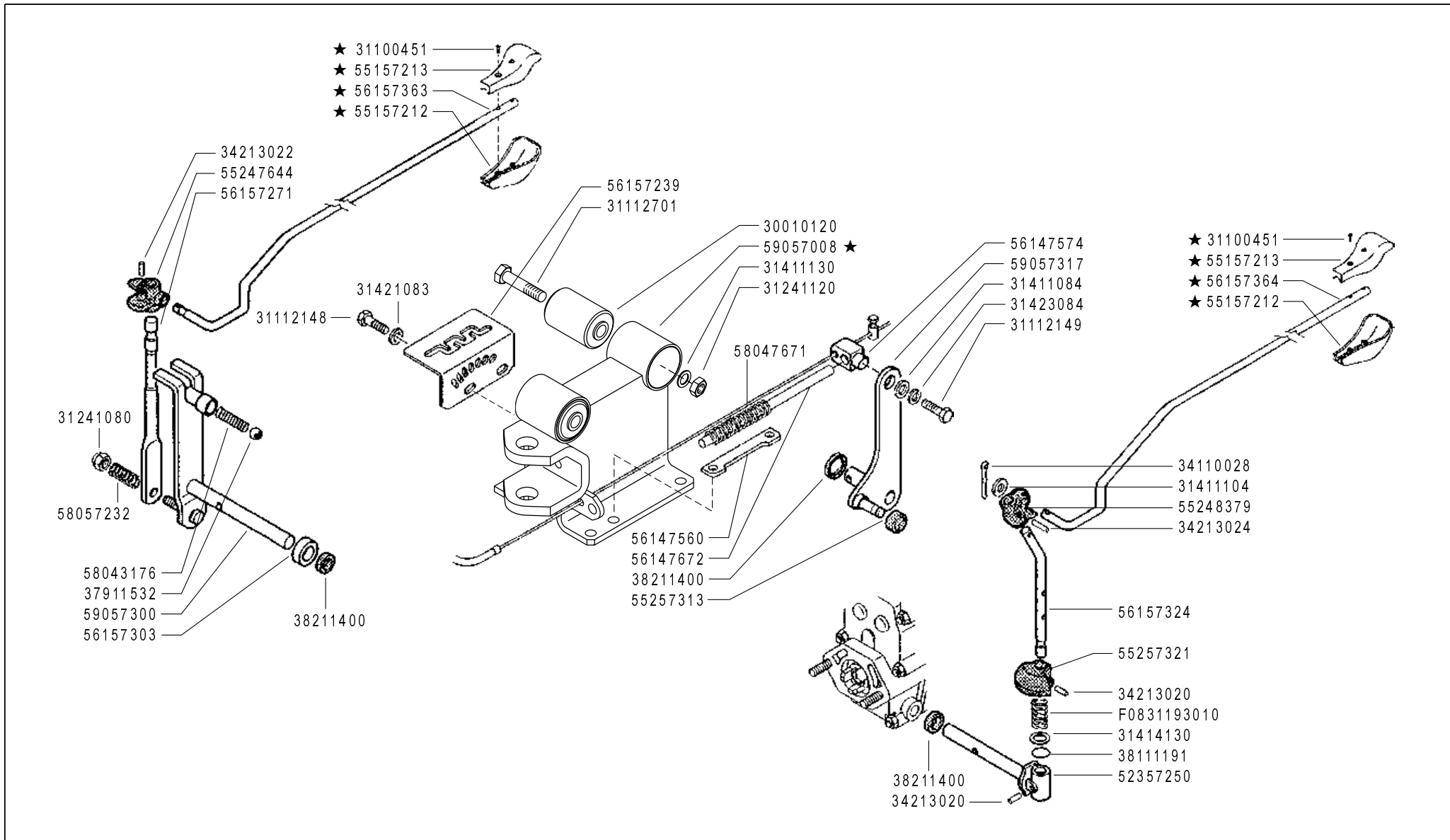
CONTROLS (340-346)
Version: MC 346, MC 340

CODE REV
011A_0_25340



	300 serie 95	CONTROLS MANDOS	COMANDI (340-346) ★	COMMANDES ANTRIEBE	DALLA MACCHINA DE LA MAQUINA FROM THE MACHINE AB DER MASCHINE ★ N.	Rev.	11 A 0
						752002 (346) 749391 (340)	

Pos.	Code	Q.ty	Description	Notes
58047671	58047671	1	SPRING	
58057232	58057232	1	SPRING	
59057027	59057027	1	SUPPORT	
59057300	59057300	1	GEAR LEVER	
59057317	59057317	1	LEVER	
F0831193	F0831193010	1	SPRING DM.15X70	



FERRARI

300 serie **95**

CONTROLS
MANDOS

COMANDI (340-346)

COMMANDES
ANTRIEBE

DALLA MACCHINA
DE LA MAQUINA
FROM THE MACHINE
AB DER MASCHINE

★ N.

783462

11 A 1

01/2007

Rev.

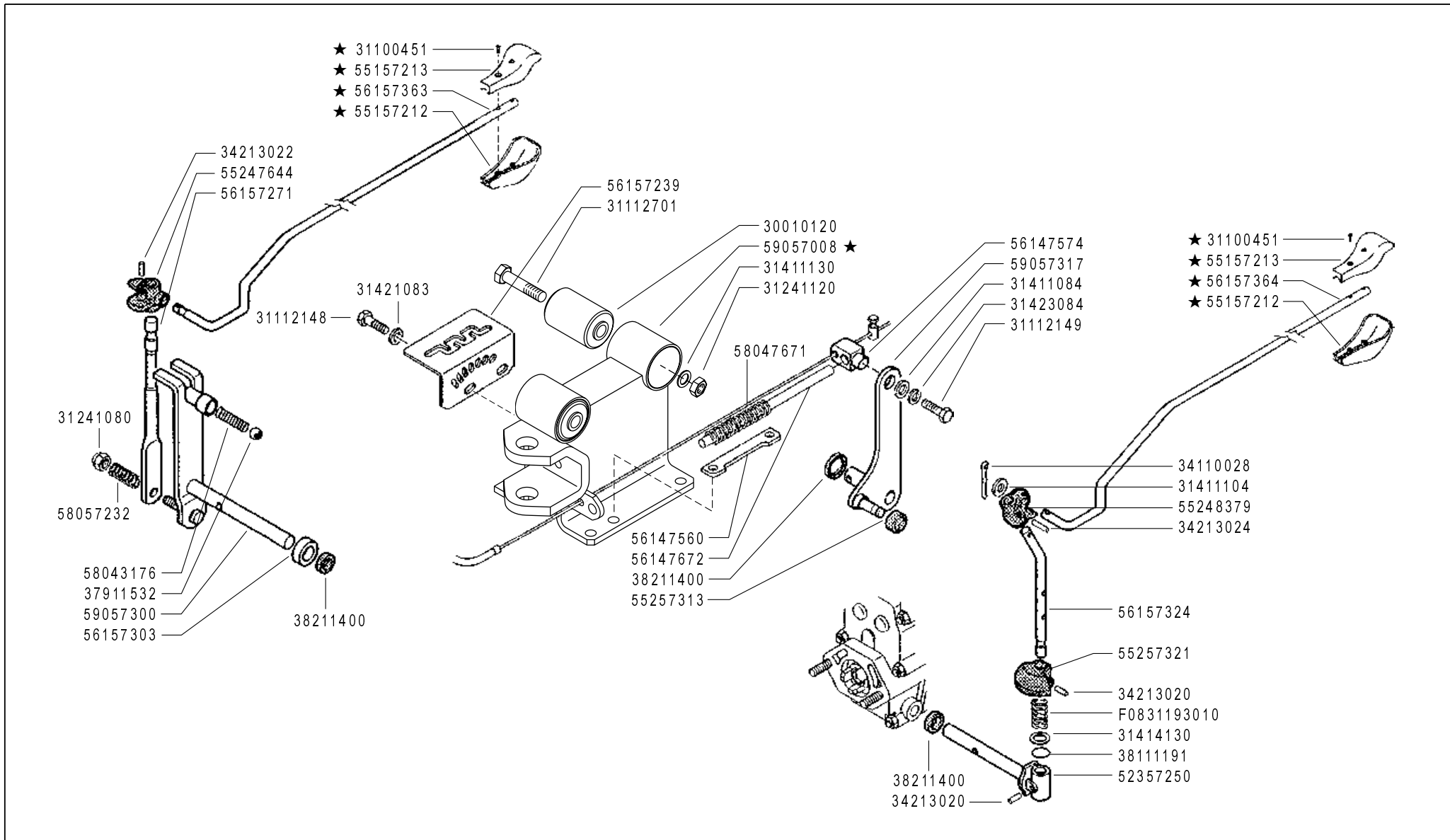
ZENNE

Pos.	Code	Q.ty	Description	Notes
30010120	30010120	1	SILENT-BLOCK 12X40X58X66	
31100451	31100451	1	SCREW 3,5X25	
31112148	31112148	1	SCREW TE M8X18 UNI 5739 8G	
31112149	31112149	1	SCREW TE M8X12 UNI 5739 8G	
31112701	31112701	1	SCREW TE M12X100 UNI 5737	
31241080	31241080	1	SELFLOCK NUT M8	
31241120	31241120	1	SELFLOCK NUT M12	
31411084	31411084	1	WASHER 8,4x17	
31411104	31411104	1	WASHER 10,5x18	
31411130	31411130	1	WASHER 13x24	
31414130	31414130	1	WASHER 13	
31421083	31421083	1	WASHER	
31423084	31423084	1	SPRING WASHER 8,4	
34110028	34110028	1	SPLIT PIN	
34213020	34213020	1	ROLL PIN	
34213022	34213022	1	ROLL PIN	
34213024	34213024	1	ROLL PIN	
37911532	37911532	1	BALL 15/32	
38111191	38111191	1	O-RING 115 (11,91X2,62)	
38211400	38211400	1	OIL SEAL 14X22X4	
52357250	52357250	1	PIN	
55157212	55157212	1	GRIP	
55157213	55157213	1	GRIP	
55247644	55247644	1	JOINT	
55248379	55248379	1	JOINT	
55257313	55257313	1	ROLLER	
55257321	55257321	1	STOP	
56147560	56147560	1	STOP	
56147574	56147574	1	SMALL BLOCK	
56147672	56147672	1	GUIDE PIN	
56157239	56157239	1	GEAR SELECTOR	
56157271	56157271	1	COMMAND LEVER	
56157303	56157303	1	SPACER	
56157324	56157324	1	PTO LEVER	

SERIAL
START
783462

CONTROLS (340-346)

CODE REV
011A_1_32745



FERRARI

300 serie **95**

CONTROLS
MANDOS

COMANDI (340-346)

COMMANDES
ANTRIEBE

DALLA MACCHINA
DE LA MAQUINA
FROM THE MACHINE
AB DER MASCHINE

★ N.

783462

11 A 1

01/2007

Rev.

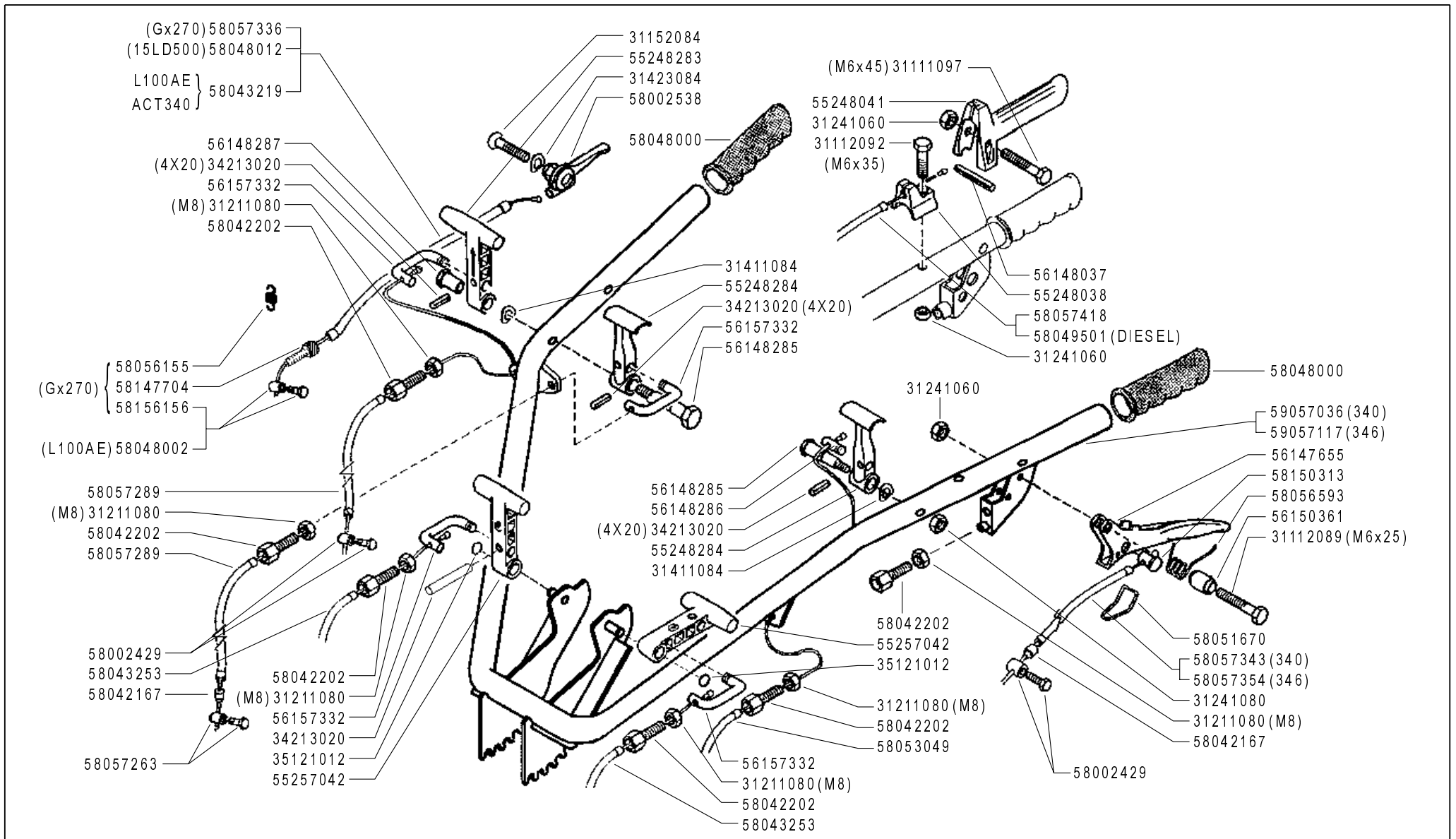
ZENNE

Pos.	Code	Q.ty	Description	Notes
56157363	56157363	1	PULL ROD	
56157364	56157364	1	PULL ROD	
58043176	58043176	1	SPRING	
58047671	58047671	1	SPRING	
58057232	58057232	1	SPRING	
59057008	59057008	1	SUPPORT	
59057300	59057300	1	GEAR LEVER	
59057317	59057317	1	LEVER	
F0831193	F0831193010	1	SPRING DM.15X70	

SERIAL
START
783462

CONTROLS (340-346)

CODE REV
011A_1_32745



FERRARI

300 serie **95**

MANUBRIO (340-346) ★

HANDLEBAR
MANILLAR

MANCHERON
LENKER

DALLA MACCHINA
DE LA MAQUINA
DE LA MACHINE
FROM THE MACHINE
AB DER MASCHINE

★ N.

752002 (346)

749391 (340)

13

Rev.
4

02/2006

ZENNE

Pos.	Code	Q.ty	Description	Notes
31111097	31111097	1	SCREW TE M6X45 UNI 5737 8G	
31112089	31112089	1	SCREW TE M6X25 UNI 5739 8G	
31112092	31112092	1	SCREW TE M6X35 UNI 5739 8G	
31152084	31152084	1	SCREW TCEI M8X35 UNI 5931	
31211080	31211080	1	NUT M8	
31241060	31241060	1	SELFLOCK NUT M6	
31241080	31241080	1	SELFLOCK NUT M8	
31411084	31411084	1	WASHER 8,4x17	
31423084	31423084	1	SPRING WASHER 8,4	
34213020	34213020	1	ROLL PIN	
35121012	35121012	1	SEEGER RING E 12 DIN 471	
55248038	55248038	1	STOP	
55248041	55248041	1	LEVER	
55248283	55248283	1	COMMAND LEVER	
55248284	55248284	1	LEVER	
55257042	55257042	1	COMMAND LEVER	
56147655	56147655	1	CLUTCH LEVER	
56148037	56148037	1	LEVER STOP	
56148285	56148285	1	PIN	
56148286	56148286	1	PIN	
56148287	56148287	1	STUD BOLT	
56150361	56150361	1	SPACER	
56157332	56157332	1	U BOLT	
58002429	58002429	1	CLAMPING SCREW	
58002538	58002538	1	COMMAND LEVER	
58042167	58042167	1	SHEATH TERMINAL	
58042202	58042202	1	ADJUSTING SCREW	
58043219	58043219	1	LINE AND SHEATH	
58043253	58043253	1	LINE AND SHEATH	
58048000	58048000	1	KNOB	
58048002	58048002	1	CLAMPING SCREW	
58048012	58048012	1	LINE AND SHEATH	
58049501	58049501	1	LINE AND SHEATH	
58051670	58051670	1	CLEVIS	

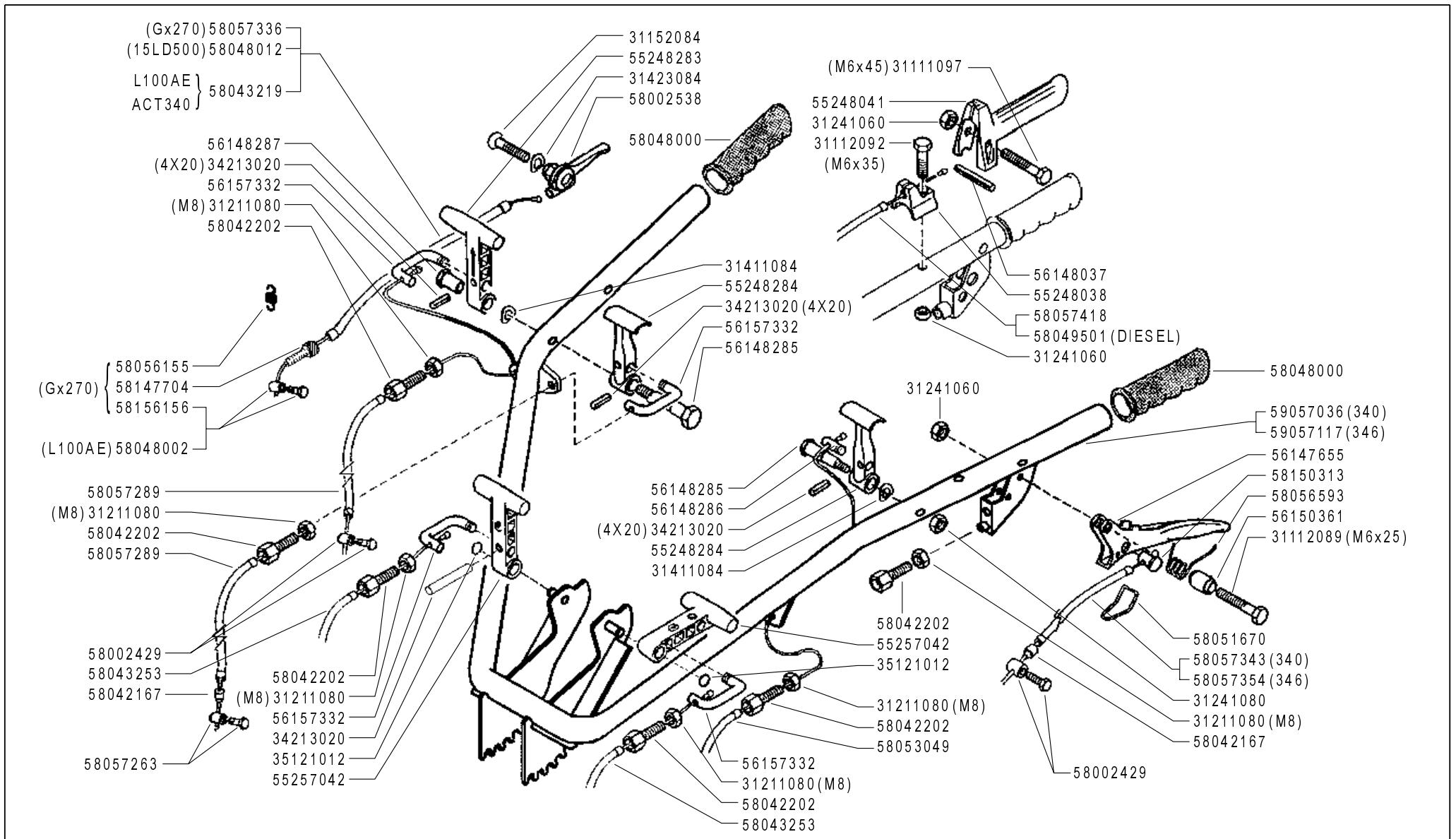
SERIAL

HANDLEBAR (340-346)

Version: MC 340, MC 346

CODE REV

013_4_25436



FERRARI

300 serie **95**

MANUBRIO (340-346) ★

HANDLEBAR
MANILLAR

MANCHERON
LENKER

DALLA MACCHINA
DE LA MAQUINA
DE LA MACHINE
FROM THE MACHINE
AB DER MASCHINE

★ N.

752002 (346)

749391 (340)

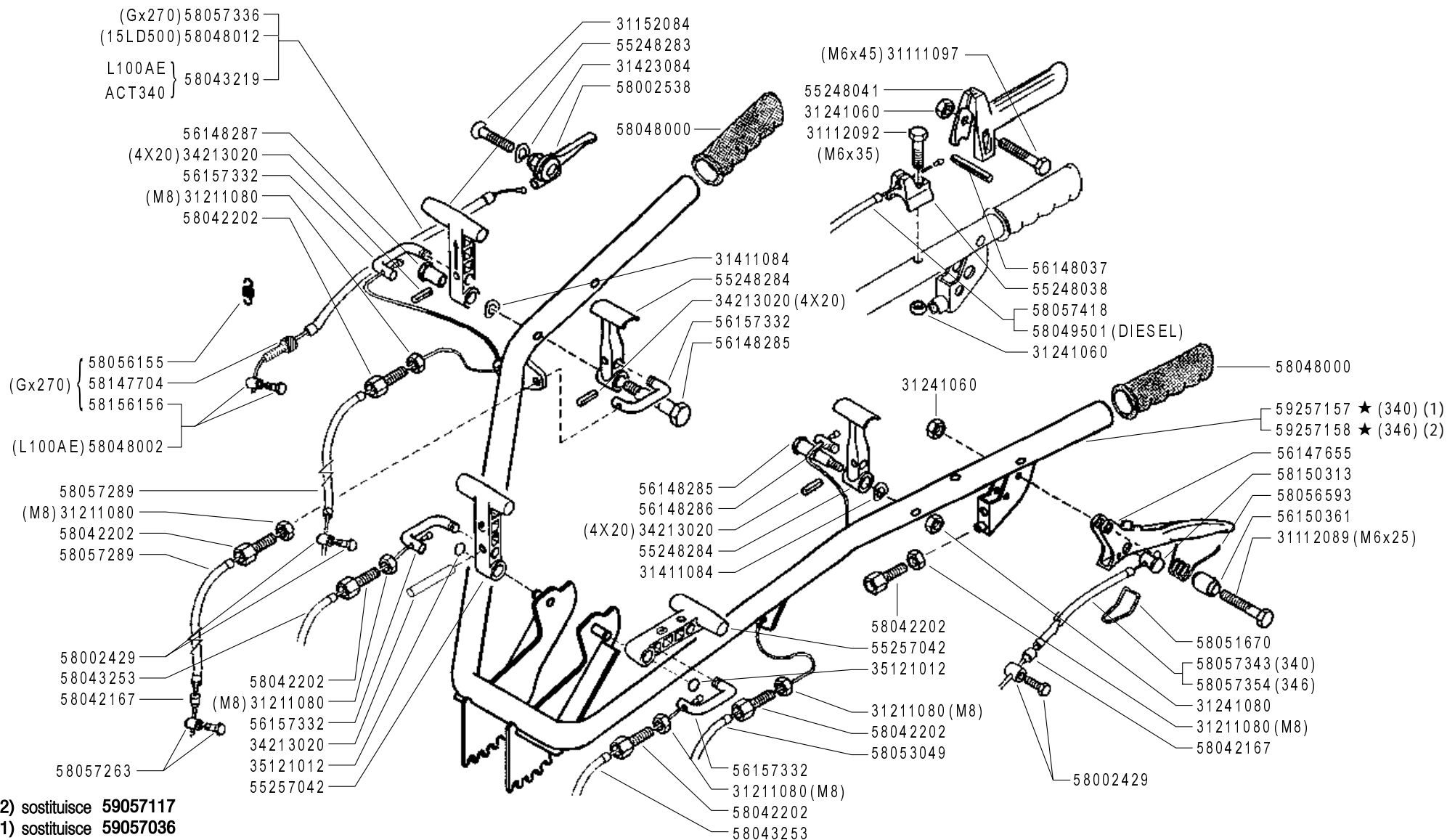
13

Rev.
4

02/2006

ZENNE

Pos.	Code	Q.ty	Description	Notes
58053049	58053049	1	TRANSMISSION	
58056155	58056155	1	RESTORING SPRING	Utilizzato con motore GX270
58056593	58056593	1	SPRING	
58057263	58057263	1	CLAMPING SCREW	
58057289	58057289	1	LINE AND SHEATH	
58057336	58057336	1	LINE AND SHEATH	
58057343	58057343	1	LINE AND SHEATH	
58057354	58057354	1	LINE AND SHEATH	
58057418	58057418	1	LINE AND SHEATH	
58147704	58147704	1	ADJUSTING SCREW	
58150313	58150313	1	CABLE CLAMP	
58156156	58156156	1	TERMINAL	
59057036	59057036	1	HANDLE BAR	
59057117	59057117	1	COMPLETE HANDLE BAR	



FERRARI

300 serie 95

MANUBRIO (340-346)

HANDLEBAR
MANILLAR

MANCHERON
LENKER

DALLA MACCHINA
DE LA MAQUINA
DE LA MACHINE
FROM THE MACHINE
AB DER MASCHINE

AGGIORNAMENTO

REVISION

MISE A JOUR

APLAZAMIENTO

ANPASSUNG

13

Rev.
5

06/2006

★ N.

ZENNE

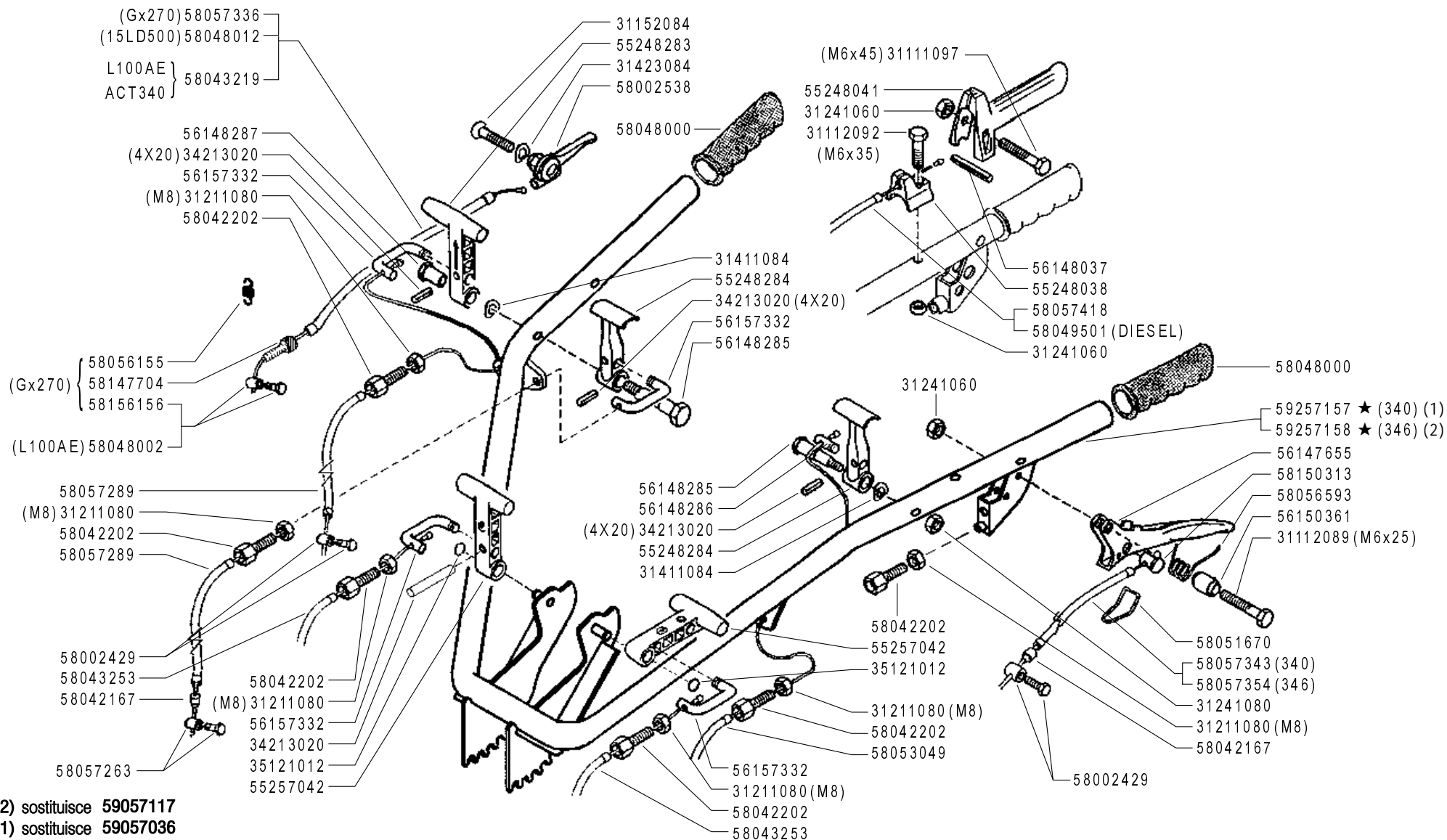
Pos.	Code	Q.ty	Description	Notes
31111097	31111097	1	SCREW TE M6X45 UNI 5737 8G	
31112089	31112089	1	SCREW TE M6X25 UNI 5739 8G	
31112092	31112092	1	SCREW TE M6X35 UNI 5739 8G	
31152084	31152084	1	SCREW TCEI M8X35 UNI 5931	
31211080	31211080	1	NUT M8	
31241060	31241060	1	SELFLOCK NUT M6	
31241080	31241080	1	SELFLOCK NUT M8	
31411084	31411084	1	WASHER 8,4x17	
31423084	31423084	1	SPRING WASHER 8,4	
34213020	34213020	1	ROLL PIN	
35121012	35121012	1	SEEGER RING E 12 DIN 471	
55248038	55248038	1	STOP	
55248041	55248041	1	LEVER	
55248283	55248283	1	COMMAND LEVER	
55248284	55248284	1	LEVER	
55257042	55257042	1	COMMAND LEVER	
56147655	56147655	1	CLUTCH LEVER	
56148037	56148037	1	LEVER STOP	
56148285	56148285	1	PIN	
56148286	56148286	1	PIN	
56148287	56148287	1	STUD BOLT	
56150361	56150361	1	SPACER	
56157332	56157332	1	U BOLT	
58002429	58002429	1	CLAMPING SCREW	
58002538	58002538	1	COMMAND LEVER	
58042167	58042167	1	SHEATH TERMINAL	
58042202	58042202	1	ADJUSTING SCREW	
58043219	58043219	1	LINE AND SHEATH	
58043253	58043253	1	LINE AND SHEATH	
58048000	58048000	1	KNOB	
58048002	58048002	1	CLAMPING SCREW	
58048012	58048012	1	LINE AND SHEATH	
58049501	58049501	1	LINE AND SHEATH	
58051670	58051670	1	CLEVIS	

SERIAL

HANDLEBAR (340-346)

CODE REV

013_5_32888



FERRARI

300 serie 95

MANUBRIO (340-346)

HANDLEBAR
MANILLAR

MANCHERON
LENKER

DALLA MACCHINA
DE LA MAQUINA
DE LA MACHINE
FROM THE MACHINE
AB DER MASCHINE

AGGIORNAMENTO

REVISION

MISE A JOUR

APLAZAMIENTO

ANPASSUNG

13

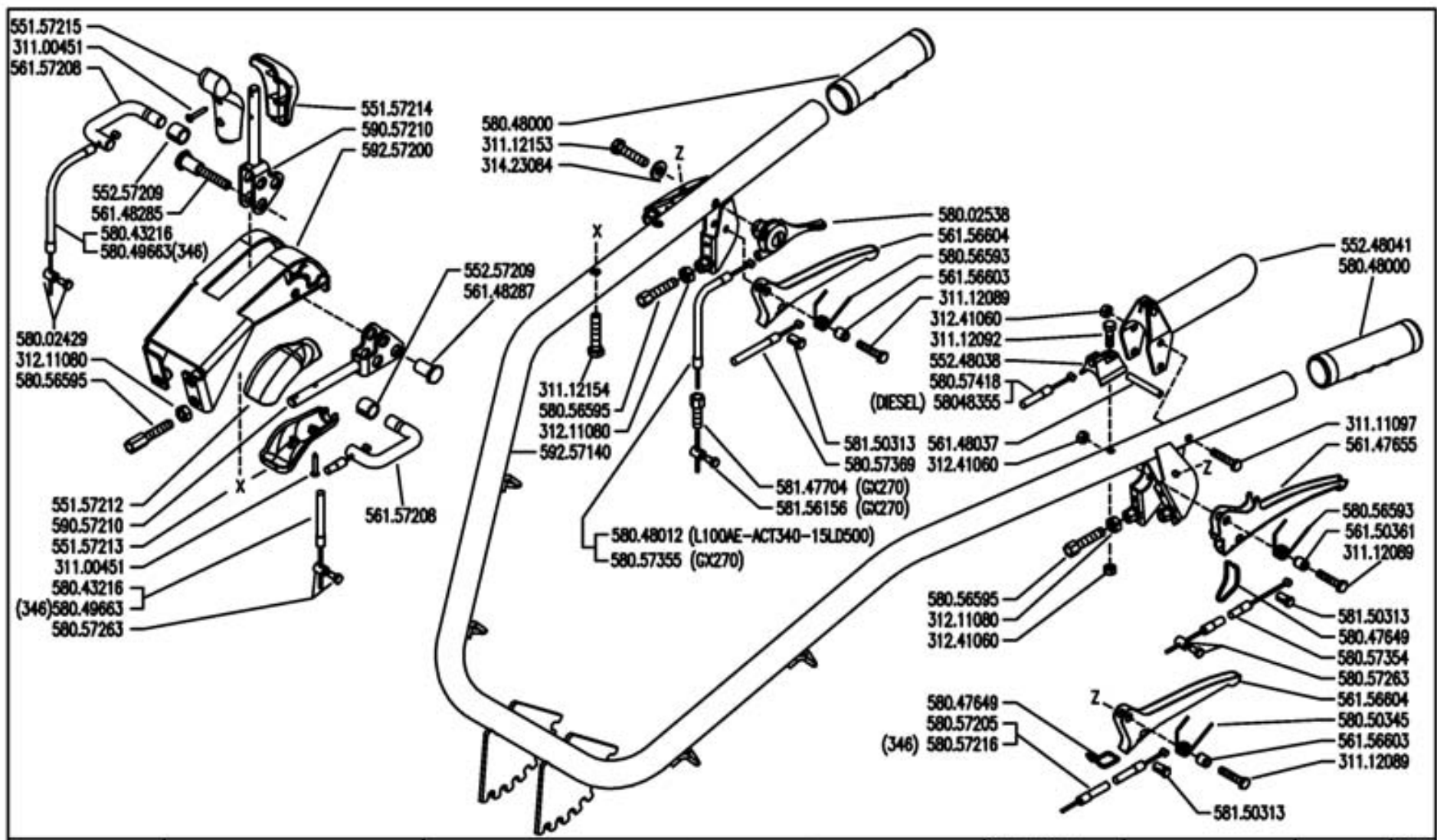
Rev.
5


06/2006

★ N.

ZENNE

Pos.	Code	Q.ty	Description	Notes
58053049	58053049	1	TRANSMISSION	
58056155	58056155	1	RESTORING SPRING	Utilizzato con motore GX270
58056593	58056593	1	SPRING	
58057263	58057263	1	CLAMPING SCREW	
58057289	58057289	1	LINE AND SHEATH	
58057336	58057336	1	LINE AND SHEATH	
58057343	58057343	1	LINE AND SHEATH	
58057354	58057354	1	LINE AND SHEATH	
58057418	58057418	1	LINE AND SHEATH	
58147704	58147704	1	ADJUSTING SCREW	
58150313	58150313	1	CABLE CLAMP	
58156156	58156156	1	TERMINAL	
59257157	59257157	1	HANDLE BAR	
59257158	59257158	1	HANDLE BAR	



	300 serie 95	MANUBRIO (340-346)★ HANDLEBAR MANILLAR	MANCHERON LENKER	DALLA MACCHINA DE LA MAQUINA FROM THE MACHINE AB DER MASCHINE	_____ _____ _____	13	Rev. 6
				★ N.	783462		

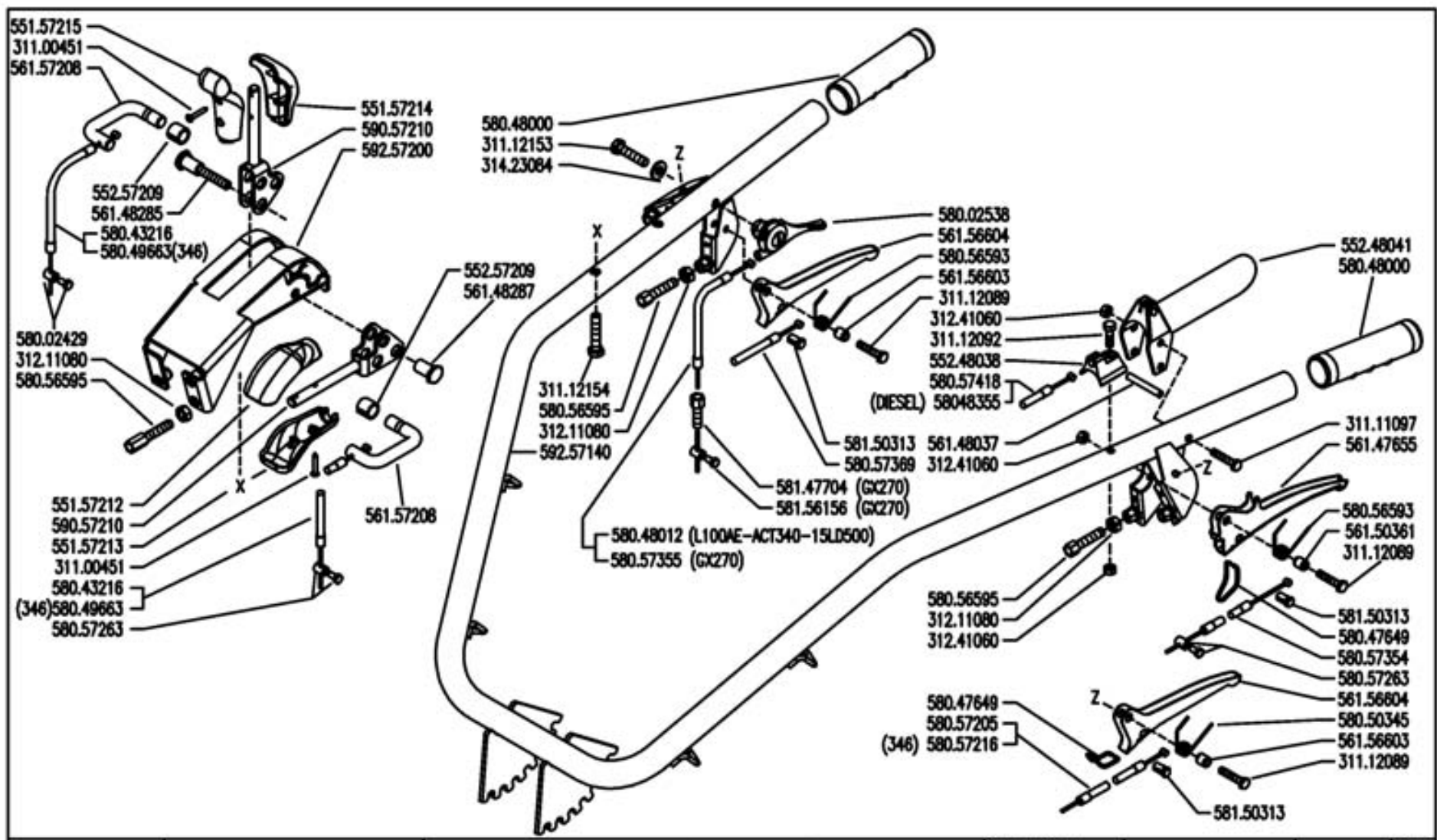
Pos.	Code	Q.ty	Description	Notes
31100451	31100451	1	SCREW 3,5X25	
31111097	31111097	1	SCREW TE M6X45 UNI 5737 8G	
31112089	31112089	1	SCREW TE M6X25 UNI 5739 8G	
31112092	31112092	1	SCREW TE M6X35 UNI 5739 8G	
31112153	31112153	1	SCREW TE M8X35 UNI 5739 8G	
31112154	31112154	1	SCREW TE M8X40 UNI 5739 8G	
31211080	31211080	1	NUT M8	
31241060	31241060	1	SELFLOCK NUT M6	
31423084	31423084	1	SPRING WASHER 8,4	
55157212	55157212	1	GRIP	
55157213	55157213	1	GRIP	
55157214	55157214	1	GRIP	
55157215	55157215	1	GRIP	
55248038	55248038	1	STOP	
55248041	55248041	1	LEVER	
55257209	55257209	1	BUSHING	
56147655	56147655	1	CLUTCH LEVER	
56148037	56148037	1	LEVER STOP	
56148285	56148285	1	PIN	
56148287	56148287	1	STUD BOLT	
56150361	56150361	1	SPACER	
56156603	56156603	1	SPACER	
56156604	56156604	1	CLUTCH LEVER	
56157208	56157208	1	U BOLT	
58002429	58002429	1	CLAMPING SCREW	
58002538	58002538	1	COMMAND LEVER	
58043216	58043216	1	LINE AND SHEATH	
58047649	58047649	1	CLEVIS	
58048000	58048000	1	KNOB	
58048012	58048012	1	LINE AND SHEATH	
58048355	58048355	1	LINE AND SHEATH	
58049663	58049663	1	LINE AND SHEATH	
58050345	58050345	1	SPRING	
58056593	58056593	1	SPRING	

SERIAL
START
783462

END
817450

HANDLEBAR (340-346)

CODE REV
013_6_33211



	300 serie 95	MANUBRIO (340-346)★		DALLA MACCHINA DE LA MACCHINA DE LA MACCHINA FROM THE MACHINE AB DER MASCHINE	<table border="1"> <tr> <td>Rev.</td> <td>13</td> <td>6</td> </tr> <tr> <td>★ N.</td> <td>783462</td> <td>01/2007</td> </tr> </table>	Rev.	13	6	★ N.	783462	01/2007
		Rev.	13			6					
★ N.	783462	01/2007									
HANDLEBAR MANILLAR	MANCHERON LENKER										

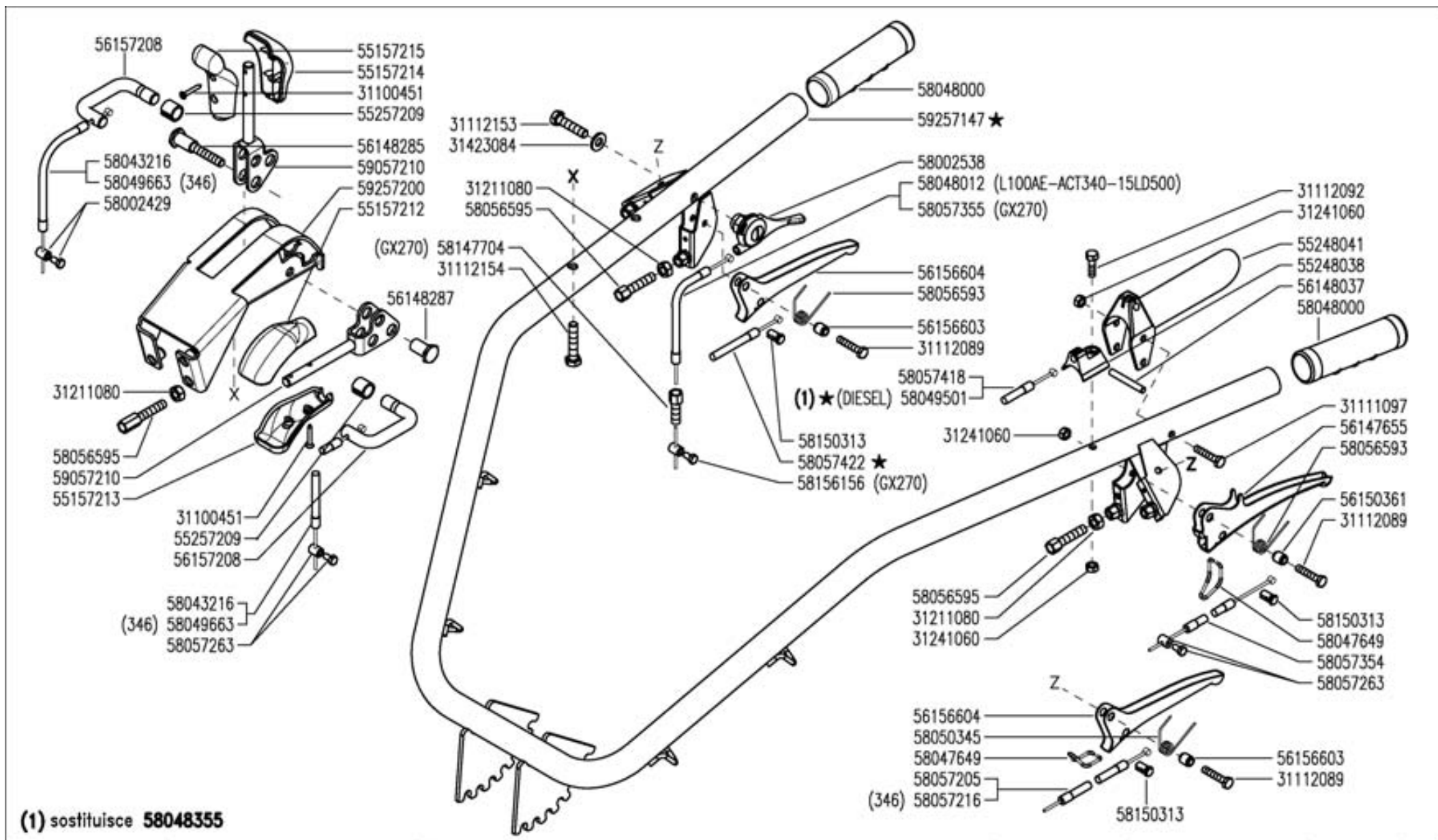
Pos.	Code	Q.ty	Description	Notes
58056595	58056595	1	ADJUSTING SCREW	
58057205	58057205	1	LINE AND SHEATH	
58057216	58057216	1	LINE AND SHEATH	
58057263	58057263	1	CLAMPING SCREW	
58057354	58057354	1	LINE AND SHEATH	
58057355	58057355	1	LINE AND SHEATH	
58057369	58057369	1	TRANSMISSION	
58057418	58057418	1	LINE AND SHEATH	
58147704	58147704	1	ADJUSTING SCREW	
58150313	58150313	1	CABLE CLAMP	
58156156	58156156	1	TERMINAL	
59057210	59057210	1	COMMAND LEVER	
59257140	59257140	1	COMPLETE HANDLE BAR	
59257200	59257200	1	SUPPORT	

SERIAL
START
783462

END
817450

HANDLEBAR (340-346)

CODE REV
013_6_33211



(1) sostituisce **58048355**

FERRARI

300 serie 95

MANUBRIO (340 - 346)

HANDLEBAR
MANILLAR

MANCHERON
LENKER

DALLA MACCHINA
DE LA MAQUINA
DE LA MACHINE
FROM THE MACHINE
AB DER MASCHINE

★ N.

817451

13

Rev.
7

06/2008

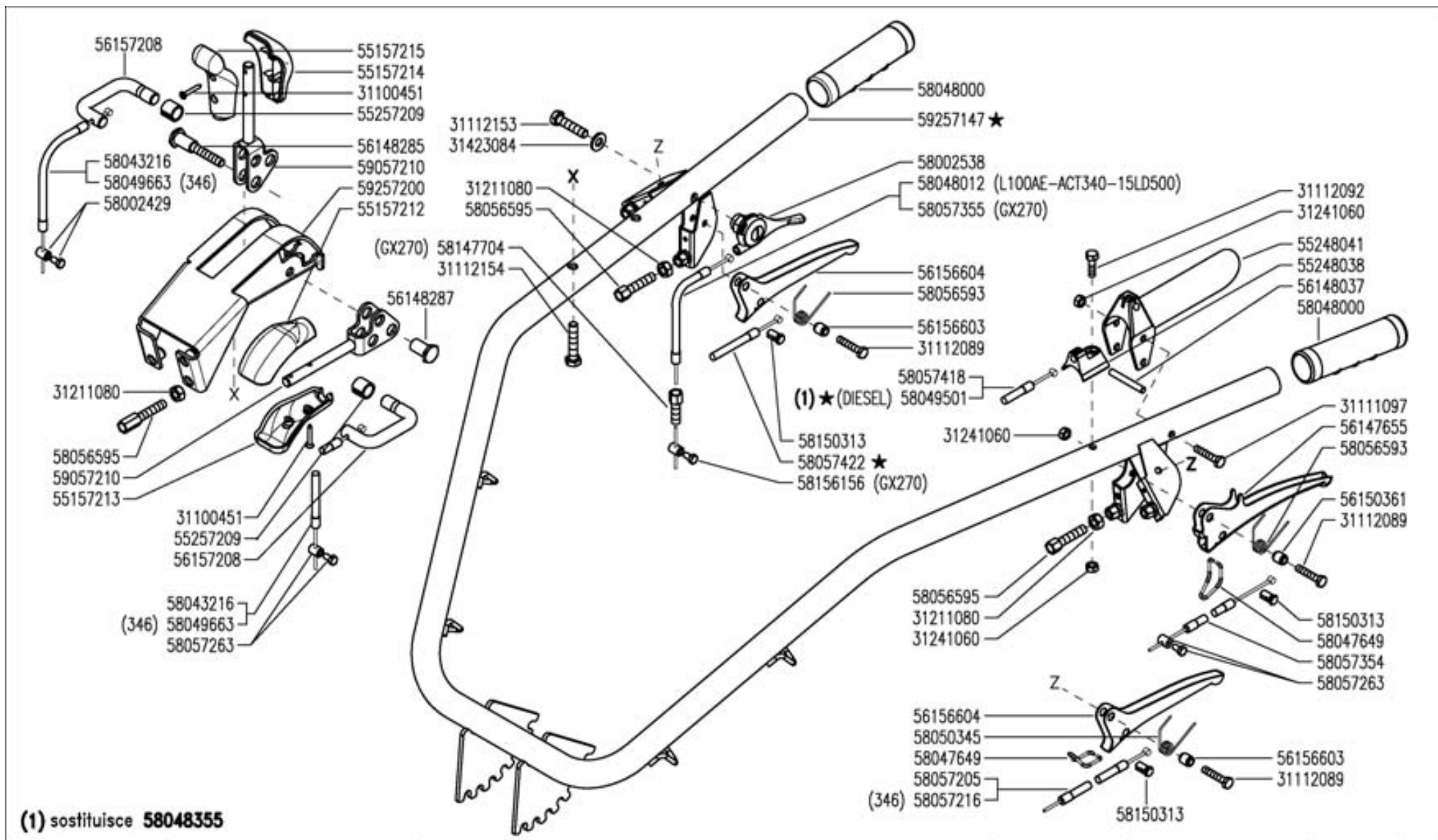
ZFNMF

Pos.	Code	Q.ty	Description	Notes
31100451	31100451	1	SCREW 3,5X25	
31111097	31111097	1	SCREW TE M6X45 UNI 5737 8G	
31112089	31112089	1	SCREW TE M6X25 UNI 5739 8G	
31112092	31112092	1	SCREW TE M6X35 UNI 5739 8G	
31112153	31112153	1	SCREW TE M8X35 UNI 5739 8G	
31112154	31112154	1	SCREW TE M8X40 UNI 5739 8G	
31211080	31211080	1	NUT M8	
31241060	31241060	1	SELFLOCK NUT M6	
31423084	31423084	1	SPRING WASHER 8,4	
55157212	55157212	1	GRIP	
55157213	55157213	1	GRIP	
55157214	55157214	1	GRIP	
55157215	55157215	1	GRIP	
55248038	55248038	1	STOP	
55248041	55248041	1	LEVER	
55257209	55257209	1	BUSHING	
56147655	56147655	1	CLUTCH LEVER	
56148037	56148037	1	LEVER STOP	
56148285	56148285	1	PIN	
56148287	56148287	1	STUD BOLT	
56150361	56150361	1	SPACER	
56156603	56156603	1	SPACER	
56156604	56156604	1	CLUTCH LEVER	
56157208	56157208	1	U BOLT	
58002429	58002429	1	CLAMPING SCREW	
58002538	58002538	1	COMMAND LEVER	
58043216	58043216	1	LINE AND SHEATH	
58047649	58047649	1	CLEVIS	
58048000	58048000	1	KNOB	
58048012	58048012	1	LINE AND SHEATH	
58049501	58049501	1	LINE AND SHEATH	
58049663	58049663	1	LINE AND SHEATH	
58050345	58050345	1	SPRING	
58056593	58056593	1	SPRING	

SERIAL
START
817451

HANDLEBAR (340-346)

CODE REV
013_7_64065



(1) sostituisce 58048355

FERRARI

300 serie 95

MANUBRIO (340 - 346)

HANDLEBAR
MANILLAR

MANCHERON
LENKER

DALLA MACCHINA
DE LA MAQUINA
DE LA MACHINE
FROM THE MACHINE
AB DER MASCHINE

★ N.

817451

13

Rev.
7

06/2008

ZFINF

Pos.	Code	Q.ty	Description	Notes
58056595	58056595	1	ADJUSTING SCREW	
58057205	58057205	1	LINE AND SHEATH	
58057216	58057216	1	LINE AND SHEATH	
58057263	58057263	1	CLAMPING SCREW	
58057354	58057354	1	LINE AND SHEATH	
58057355	58057355	1	LINE AND SHEATH	
58057418	58057418	1	LINE AND SHEATH	
58057422	58057422	1	TRASM.SBLOCC.PIANTONE MC740/08	
58147704	58147704	1	ADJUSTING SCREW	
58150313	58150313	1	CABLE CLAMP	
58156156	58156156	1	TERMINAL	
59057210	59057210	1	COMMAND LEVER	
59257147	59257147	1	HANDLE BAR	
59257200	59257200	1	SUPPORT	

SERIAL
START
817451

HANDLEBAR (340-346)

CODE REV
013_7_64065

Pos.	Code	Q.ty	Description	Notes
31111091	31111091	1	SCREW E M6X14 UNI 5739 8G	
31152085	31152085	1	SCREW TCEI M8X25 UNI 5931	
31241080	31241080	1	SELFLOCK NUT M8	
31411084	31411084	1	WASHER 8,4x17	
56148218	56148218	1	BRAKE DRUM	
56349649	56349649	1	STOP	
58042167	58042167	1	SHEATH TERMINAL	
58042200	58042200	1	CLAMPING SCREW	
58048214	58048214	1	BRAKE BLOCK	
58048215	58048215	1	SPRING	
59048200	59048200	1	HALF DISC	
59048208	59048208	1	HALF DISC	



58057772



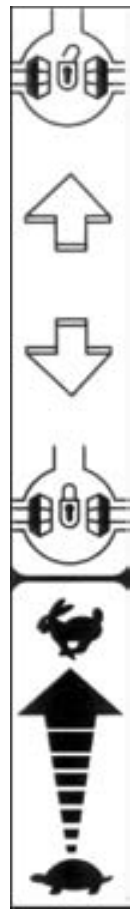
58057770



58046912



58046913



58057688



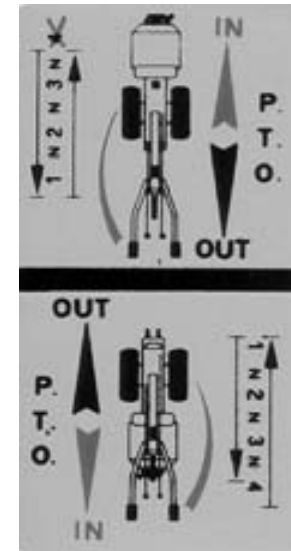
58057677



58057678



58057704



58047729 ★



58057724



58057768



58057767



58057676

FERRARI

300 serie **95**

ADESIVI

STICKERS
ADHESIVOS

AUTOCOLLANTS
AUFKLEBES

DALLA MACCHINA
DE LA MAQUINA
DE LA MACHINE
FROM THE MACHINE
AB DER MASCHINE

AGGIORNAMENTO

REVISION

MISE A JOUR

APLAZAMIENTO

ANPASSUNG

16

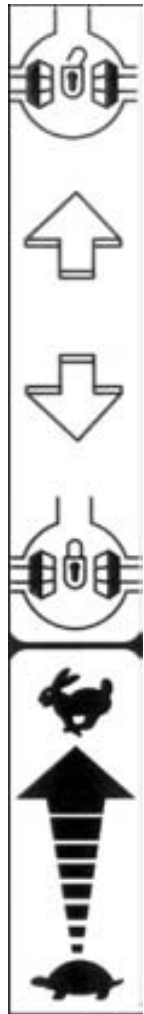
Rev.
2

02/2006

★N.

ZENNE

Pos.	Code	Q.ty	Description	Notes
58046912	58046912	1	DECAL	
58046913	58046913	1	DECAL	
58047729	58047729	1	DECAL	
58057676	58057676	1	DECAL	
58057677	58057677	1	DECAL	
58057678	58057678	1	DECAL	
58057688	58057688	1	DECAL	
58057704	58057704	1	DECAL	
58057724	58057724	1	DECAL	
58057767	58057767	1	DECAL	
58057768	58057768	1	DECAL	
58057770	58057770	1	DECAL	
58057772	58057772	1	DECAL	



58057688



58057767



58057768



58057772



58057724



58093089



58057746



58057748



58057773



58057774



58057625



58057704



58057770



58057677



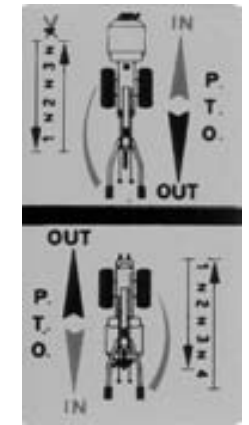
58046912



58057678



58057676



58047729

FERRARI

300 serie 95

STICKERS
ADHESIVOS

ADESIVI

AUTOCOLLANTS
AUFKLEBES

DALLA MACCHINA
DE LA MAQUINA
FROM THE MACHINE
AB DER MASCHINE

AGGIORNAMENTO

REVISION

MISE A JOUR

APLAZAMIENTO

ANPASSUNG

16

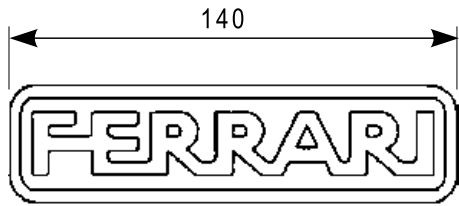
07/2006

Rev.
3

★ N.

ZENNE

Pos.	Code	Q.ty	Description	Notes
58046912	58046912	1	DECAL	
58047729	58047729	1	DECAL	
58057625	58057625	1	DECAL	
58057676	58057676	1	DECAL	
58057677	58057677	1	DECAL	
58057678	58057678	1	DECAL	
58057688	58057688	1	DECAL	
58057704	58057704	1	DECAL	
58057724	58057724	1	DECAL	
58057746	58057746	1	DECAL	
58057748	58057748	1	DECAL	
58057767	58057767	1	DECAL	
58057768	58057768	1	DECAL	
58057770	58057770	1	DECAL	
58057772	58057772	1	DECAL	
58057773	58057773	1	DECAL	
58057774	58057774	1	DECAL	
58093089	58093089	1	DECAL	



58052029

310

58052035

310

58052036



58052019

320

58052026

320

58052025

330

58052028

330

58052027

346

58052152 ★

340

58052013

ADESIVI



300 serie **95**

STICKERS
ADHESIVOS

AUTOCOLLANTS
AUFKLEBES

DALLA MACCHINA
DE LA MAQUINA
DE LA MACHINE
FROM THE MACHINE
AB DER MASCHINE

AGGIORNAMENTO

REVISION

MISE A JOUR

APLAZAMIENTO

ANPASSUNG

17

Rev.

0

02/2006

★ N.

ZENNE

Pos.	Code	Q.ty	Description	Notes
58052013	58052013	1	DECAL	
58052019	58052019	1	DECAL	
58052025	58052025	1	DECAL	
58052026	58052026	1	DECAL	
58052027	58052027	1	DECAL	
58052028	58052028	1	DECAL	
58052029	58052029	1	DECAL	
58052035	58052035	1	DECAL	
58052036	58052036	1	DECAL	
58052152	58052152	1	DECAL	

SPARE PARTS INSTANCE INDEX





SPARE PARTS INSTANCE INDEX

Code	Parts Table	Pos.	Q.ty	Code	Parts Table	Pos.	Q.ty	Code	Parts Table	Pos.	Q.ty
30000276	002_5_25058	30000276	1	31111097	013_5_32888	31111097	1	31112154	011_6_33168	31112154	1
30000277	002_5_25058	30000277	1		013_6_33211	31111097	1		011_7_63924	31112154	1
	002_6_33590	30000277	1		013_7_64065	31111097	1		013_6_33211	31112154	1
	002_7_63846	30000277	1	31111229	011_4_25304	31111229	1		013_7_64065	31112154	1
30000295	002_5_25058	30000295	1		011_5_32699	31111229	1	31112155	01B_0_24960	31112155	1
	002_6_33590	30000295	1		011_6_33168	31111229	1	31112210	004_4_25109	31112210	1
	002_7_63846	30000295	1		011_7_63924	31111229	1	31112211	006_3_25213	31112211	1
30010120	011A_0_25340	30010120	1	31112089	013_4_25436	31112089	1	31112219	04A_0_25152	31112219	1
	011A_1_32745	30010120	1		013_5_32888	31112089	1	31112293	011_4_25304	31112293	1
30040001	004_4_25109	30040001	1		013_6_33211	31112089	1		011_5_32699	31112293	1
	04A_0_25152	30040001	1		013_7_64065	31112089	1		011_6_33168	31112293	1
31100003	003_3_25078	31100003	1	31112090	006_3_25213	31112090	1		011_7_63924	31112293	1
	003_4_27606	31100003	1	31112092	013_4_25436	31112092	1	31112701	011A_0_25340	31112701	1
	003_5_33490	31100003	1		013_5_32888	31112092	1		011A_1_32745	31112701	1
31100015	003_3_25078	31100015	1		013_6_33211	31112092	1	31121558	002_5_25058	31121558	1
	003_4_27606	31100015	1		013_7_64065	31112092	1		002_6_33590	31121558	1
	003_5_33490	31100015	1	31112093	01B_0_24960	31112093	1		002_7_63846	31121558	1
31100201	002_7_63846	31100201	1	31112148	011A_0_25340	31112148	1	31132562	004_4_25109	31132562	1
31100451	011A_1_32745	31100451	1		011A_1_32745	31112148	1	31152084	013_4_25436	31152084	1
	011_6_33168	31100451	1	31112149	011A_0_25340	31112149	1		013_5_32888	31152084	1
	011_7_63924	31100451	1		011A_1_32745	31112149	1	31152085	014_2_25485	31152085	1
	013_6_33211	31100451	1	31112150	004_4_25109	31112150	1	31152103	004_4_25109	31152103	1
	013_7_64065	31100451	1		011_4_25304	31112150	1	31211080	003_3_25078	31211080	1
31100786	003_3_25078	31100786	1		011_5_32699	31112150	1		003_4_27606	31211080	1
31100787	003_3_25078	31100787	1		011_6_33168	31112150	1		003_5_33490	31211080	1
31104020	003_3_25078	31104020	1		011_7_63924	31112150	1		011_4_25304	31211080	1
31111086	011_4_25304	31111086	1		04A_0_25152	31112150	1		011_5_32699	31211080	1
	011_5_32699	31111086	1		09A_0_25271	31112150	1		011_6_33168	31211080	1
	011_6_33168	31111086	1	31112152	09A_0_25271	31112152	1		011_7_63924	31211080	1
	011_7_63924	31111086	1	31112153	013_6_33211	31112153	1		013_4_25436	31211080	1
31111090	004_4_25109	31111090	1		013_7_64065	31112153	1		013_5_32888	31211080	1
	04A_0_25152	31111090	1		01B_0_24960	31112153	1		013_6_33211	31211080	1
31111091	014_2_25485	31111091	1	31112154	011_4_25304	31112154	1		013_7_64065	31211080	1
31111097	013_4_25436	31111097	1		011_5_32699	31112154	1	31211100	09A_0_25271	31211100	1



SPARE PARTS INSTANCE INDEX

Code	Parts Table	Pos.	Q.ty	Code	Parts Table	Pos.	Q.ty	Code	Parts Table	Pos.	Q.ty
31221121	004_4_25109	31221121	1	31241124	04A_0_25152	31241124	1	31411084	011A_0_25340	31411084	1
	04A_0_25152	31221121	1	31241126	011_4_25304	31241126	1		011A_1_32745	31411084	1
31241060	002_5_25058	31241060	1		011_5_32699	31241126	1		013_4_25436	31411084	1
	002_6_33590	31241060	1		011_6_33168	31241126	1		013_5_32888	31411084	1
	002_7_63846	31241060	1		011_7_63924	31241126	1		014_2_25485	31411084	1
	013_4_25436	31241060	1	31312082	004_4_25109	31312082	1		01B_0_24960	31411084	1
	013_5_32888	31241060	1		04A_0_25152	31312082	1		09A_0_25271	31411084	1
	013_6_33211	31241060	1	31312083	003_3_25078	31312083	1	31411090	002_7_63846	31411090	1
	013_7_64065	31241060	1		003_4_27606	31312083	1	31411104	011A_0_25340	31411104	1
	01B_0_24960	31241060	1		003_5_33490	31312083	1		011A_1_32745	31411104	1
31241080	003_3_25078	31241080	1	31312084	004_4_25109	31312084	1	31411130	011A_0_25340	31411130	1
	003_4_27606	31241080	1		04A_0_25152	31312084	1		011A_1_32745	31411130	1
	003_5_33490	31241080	1	31312085	09A_0_25271	31312085	1	31414130	011A_0_25340	31414130	1
	004_4_25109	31241080	1	31312086	004_4_25109	31312086	1		011A_1_32745	31414130	1
	011A_0_25340	31241080	1	31312088	003_3_25078	31312088	1	31421083	004_4_25109	31421083	1
	011A_1_32745	31241080	1		003_4_27606	31312088	1		011A_0_25340	31421083	1
	011_4_25304	31241080	1		003_5_33490	31312088	1		011A_1_32745	31421083	1
	011_5_32699	31241080	1	31312089	09A_0_25271	31312089	1		011_4_25304	31421083	1
	011_6_33168	31241080	1	31312094	004_4_25109	31312094	1		011_5_32699	31421083	1
	011_7_63924	31241080	1		04A_0_25152	31312094	1		011_6_33168	31421083	1
	013_4_25436	31241080	1	31312102	09A_0_25271	31312102	1		011_7_63924	31421083	1
	013_5_32888	31241080	1	31312124	004_4_25109	31312124	1		04A_0_25152	31421083	1
	014_2_25485	31241080	1		04A_0_25152	31312124	1	31421100	011_4_25304	31421100	1
	01B_0_24960	31241080	1	31312125	004_4_25109	31312125	1		011_5_32699	31421100	1
	04A_0_25152	31241080	1		04A_0_25152	31312125	1		011_6_33168	31421100	1
	09A_0_25271	31241080	1	31411043	011_4_25304	31411043	1		011_7_63924	31421100	1
31241085	004_4_25109	31241085	1		011_5_32699	31411043	1	31421101	004_4_25109	31421101	1
	04A_0_25152	31241085	1		011_6_33168	31411043	1		006_3_25213	31421101	1
31241100	011_4_25304	31241100	1		011_7_63924	31411043	1	31421132	004_4_25109	31421132	1
	011_5_32699	31241100	1	31411064	002_5_25058	31411064	1		04A_0_25152	31421132	1
	011_6_33168	31241100	1		002_6_33590	31411064	1	31422064	004_4_25109	31422064	1
	011_7_63924	31241100	1		002_7_63846	31411064	1		04A_0_25152	31422064	1
31241120	011A_0_25340	31241120	1		01B_0_24960	31411064	1	31423084	003_3_25078	31423084	1
	011A_1_32745	31241120	1	31411084	003_3_25078	31411084	1		003_4_27606	31423084	1



SPARE PARTS INSTANCE INDEX

Code	Parts Table	Pos.	Q.ty	Code	Parts Table	Pos.	Q.ty	Code	Parts Table	Pos.	Q.ty
31423084	003_5_33490	31423084	1	35111055	006_3_25213	35111055	1	38213800	006_3_25213	38213800	1
	004_4_25109	31423084	1	35121012	013_4_25436	35121012	1	50956262	003_3_25078	50956262	1
	011A_0_25340	31423084	1		013_5_32888	35121012	1		003_4_27606	50956262	1
	011A_1_32745	31423084	1	35121014	004_4_25109	35121014	1		003_5_33490	50956262	1
	011_4_25304	31423084	1		04A_0_25152	35121014	1	51352263	04A_0_25152	51352263	1
	011_5_32699	31423084	1	35121031	006_3_25213	35121031	1	52156917	011_4_25304	52156917	1
	011_6_33168	31423084	1	35211120	006_3_25213	00	1		011_5_32699	52156917	1
	011_7_63924	31423084	1	37111150	006_3_25213	37111150	1		011_6_33168	52156917	1
	013_4_25436	31423084	1	37111152	006_3_25213	37111152	1		011_7_63924	52156917	1
	013_5_32888	31423084	1	37111170	09A_0_25271	37111170	1	52357250	011A_0_25340	52357250	1
	013_6_33211	31423084	1	37111250	09A_0_25271	37111250	1		011A_1_32745	52357250	1
	013_7_64065	31423084	1	37112173	003_3_25078	37112173	1	52447896	003_3_25078	52447896	1
	04A_0_25152	31423084	1		003_4_27606	37112173	1		003_4_27606	52447896	1
	09A_0_25271	31423084	1		003_5_33490	37112173	1		003_5_33490	52447896	1
31423105	003_3_25078	31423105	1	37112229	006_3_25213	37112229	1	52449640	09A_0_25271	52449640	1
	003_4_27606	31423105	1	37112231	003_3_25078	37112231	1	52449641	09A_0_25271	52449641	1
	003_5_33490	31423105	1		003_4_27606	37112231	1	52449642	09A_0_25271	52449642	1
	09A_0_25271	31423105	1	37112233	003_3_25078	37112233	1	52449643	09A_0_25271	52449643	1
34110028	011A_0_25340	34110028	1		003_4_27606	37112233	1	52456336	006_3_25213	52456336	1
	011A_1_32745	34110028	1	37112252	006_3_25213	37112252	1	52456340	006_3_25213	52456340	1
34211042	006_3_25213	34211042	1	37112253	09A_0_25271	37112253	1	52456349	006_3_25213	52456349	1
34213020	011A_0_25340	34213020	1	37141250	006_3_25213	37141250	1	52456354	006_3_25213	52456354	1
	011A_1_32745	34213020	1	37320120	006_3_25213	37320120	1	52456360	006_3_25213	52456360	1
	013_4_25436	34213020	1	37910832	006_3_25213	37910832	1	52456362	006_3_25213	52456362	1
	013_5_32888	34213020	1	37911532	011A_0_25340	37911532	1	52456370	006_3_25213	52456370	1
34213022	011A_0_25340	34213022	1		011A_1_32745	37911532	1	52456389	006_3_25213	52456389	1
	011A_1_32745	34213022	1	38111191	011A_0_25340	38111191	1	52456390	006_3_25213	52456390	1
34213024	011A_0_25340	34213024	1		011A_1_32745	38111191	1	52457866	006_3_25213	52457866	1
	011A_1_32745	34213024	1	38111400	09A_0_25271	38111400	1	53152401	004_4_25109	53152401	1
34213040	09A_0_25271	34213040	1	38211400	011A_0_25340	38211400	1	53152402	004_4_25109	53152402	1
34213060	006_3_25213	34213060	1		011A_1_32745	38211400	1		04A_0_25152	53152402	1
34213061	006_3_25213	34213061	1	38211500	004_4_25109	38211500	1	53152408	004_4_25109	53152408	1
35111047	006_3_25213	35111047	1		04A_0_25152	38211500	1	53152409	004_4_25109	53152409	1
35111053	006_3_25213	35111053	1	38213003	09A_0_25271	38213003	1	53152410	004_4_25109	53152410	1



SPARE PARTS INSTANCE INDEX

Code	Parts Table	Pos.	Q.ty	Code	Parts Table	Pos.	Q.ty	Code	Parts Table	Pos.	Q.ty
53152412	004_4_25109	53152412	1	55157609	003_4_27606	55157609	1	55257321	011A_0_25340	55257321	1
	04A_0_25152	53152412	1		003_5_33490	55157609	1		011A_1_32745	55257321	1
53156150	003_3_25078	53156150	1	55220363	004_4_25109	55220363	1	56137370	002_5_25058	56137370	1
	003_4_27606	53156150	1		04A_0_25152	55220363	1		002_6_33590	56137370	1
	003_5_33490	53156150	1	55243340	011_4_25304	55243340	1		002_7_63846	56137370	1
53156345	04A_0_25152	53156345	1		011_5_32699	55243340	1	56143880	09A_0_25271	56143880	1
53156346	004_4_25109	53156346	1		011_6_33168	55243340	1	56143883	09A_0_25271	56143883	1
53247468	003_3_25078	53247468	1		011_7_63924	55243340	1	56147560	011A_0_25340	56147560	1
	003_4_27606	53247468	1	55247644	011A_0_25340	55247644	1		011A_1_32745	56147560	1
53247488	003_5_33490	53247488	1		011A_1_32745	55247644	1	56147574	011A_0_25340	56147574	1
53249635	09A_0_25271	53249635	1	55248038	013_4_25436	55248038	1		011A_1_32745	56147574	1
55102678	004_4_25109	55102678	1		013_5_32888	55248038	1	56147646	011A_0_25340	56147646	1
	04A_0_25152	55102678	1		013_6_33211	55248038	1	56147655	013_4_25436	56147655	1
55102714	011_4_25304	55102714	1		013_7_64065	55248038	1		013_5_32888	56147655	1
	011_5_32699	55102714	1	55248041	013_4_25436	55248041	1		013_6_33211	56147655	1
55142076	011A_0_25340	55142076	1		013_5_32888	55248041	1		013_7_64065	56147655	1
55147842	003_3_25078	55147842	1		013_6_33211	55248041	1	56147672	011A_0_25340	56147672	1
	003_4_27606	55147842	1		013_7_64065	55248041	1		011A_1_32745	56147672	1
	003_5_33490	55147842	1	55248283	013_4_25436	55248283	1	56147845	003_3_25078	56147845	1
55157212	011A_1_32745	55157212	1		013_5_32888	55248283	1		003_4_27606	56147845	1
	011_6_33168	55157212	1	55248284	013_4_25436	55248284	1		003_5_33490	56147845	1
	011_7_63924	55157212	1		013_5_32888	55248284	1	56147923	004_4_25109	56147923	1
	013_6_33211	55157212	1	55248379	011A_0_25340	55248379	1	56148037	013_4_25436	56148037	1
	013_7_64065	55157212	1		011A_1_32745	55248379	1		013_5_32888	56148037	1
55157213	011A_1_32745	55157213	1	55249668	011_4_25304	55249668	1		013_6_33211	56148037	1
	011_6_33168	55157213	1		011_5_32699	55249668	1		013_7_64065	56148037	1
	011_7_63924	55157213	1	55252406	01B_0_24960	55252406	1	56148218	014_2_25485	56148218	1
	013_6_33211	55157213	1	55252413	01B_0_24960	55252413	1	56148285	013_4_25436	56148285	1
	013_7_64065	55157213	1	55257042	013_4_25436	55257042	1		013_5_32888	56148285	1
55157214	013_6_33211	55157214	1		013_5_32888	55257042	1		013_6_33211	56148285	1
	013_7_64065	55157214	1	55257209	013_6_33211	55257209	1		013_7_64065	56148285	1
55157215	013_6_33211	55157215	1		013_7_64065	55257209	1	56148286	013_4_25436	56148286	1
	013_7_64065	55157215	1	55257313	011A_0_25340	55257313	1		013_5_32888	56148286	1
55157609	003_3_25078	55157609	1		011A_1_32745	55257313	1	56148287	013_4_25436	56148287	1



SPARE PARTS INSTANCE INDEX

Code	Parts Table	Pos.	Q.ty	Code	Parts Table	Pos.	Q.ty	Code	Parts Table	Pos.	Q.ty
56148287	013_5_32888	56148287	1	56157208	013_6_33211	56157208	1	56349649	014_2_25485	56349649	1
	013_6_33211	56148287	1		013_7_64065	56157208	1	56349782	003_3_25078	56349782	1
	013_7_64065	56148287	1	56157239	011A_0_25340	56157239	1	56356165	003_3_25078	56356165	1
56149590	002_5_25058	56149590	1		011A_1_32745	56157239	1	56356251	003_3_25078	56356251	1
	002_6_33590	56149590	1	56157271	011A_0_25340	56157271	1		003_4_27606	56356251	1
	002_7_63846	56149590	1		011A_1_32745	56157271	1	56356328	006_3_25213	56356328	1
56149644	09A_0_25271	56149644	1	56157303	011A_0_25340	56157303	1	56356329	006_3_25213	56356329	1
56149645	09A_0_25271	56149645	1		011A_1_32745	56157303	1	56356330	006_3_25213	56356330	1
56150361	013_4_25436	56150361	1	56157324	011A_0_25340	56157324	1	56356331	006_3_25213	56356331	1
	013_5_32888	56150361	1		011A_1_32745	56157324	1	56356348	006_3_25213	56356348	1
	013_6_33211	56150361	1	56157332	013_4_25436	56157332	1	56356924	011_4_25304	56356924	1
	013_7_64065	56150361	1		013_5_32888	56157332	1		011_5_32699	56356924	1
56152403	004_4_25109	56152403	1	56157363	011A_1_32745	56157363	1		011_6_33168	56356924	1
	04A_0_25152	56152403	1	56157364	011A_1_32745	56157364	1		011_7_63924	56356924	1
56156261	004_4_25109	56156261	1	56157399	01B_0_24960	56157399	1	56443871	09A_0_25271	56443871	1
	04A_0_25152	56156261	1	56157411	011_4_25304	56157411	1	56448183	09A_0_25271	56448183	1
56156276	003_4_27606	56156276	1		011_5_32699	56157411	1	56448196	09A_0_25271	56448196	1
	003_5_33490	56156276	1		011_6_33168	56157411	1	56456347	006_3_25213	56456347	1
56156281	003_4_27606	56156281	1		011_7_63924	56157411	1	56456351	006_3_25213	56456351	1
	003_5_33490	56156281	1	56157412	011_4_25304	56157412	1	56456476	006_3_25213	56456476	1
56156284	003_5_33490	56156284	1		011_5_32699	56157412	1	56456479	006_3_25213	56456479	1
56156285	003_5_33490	56156285	1		011_6_33168	56157412	1	56458942	006_3_25213	56458942	1
56156603	013_6_33211	56156603	1		011_7_63924	56157412	1	58002429	013_4_25436	58002429	1
	013_7_64065	56156603	1	56157603	002_5_25058	56157603	1		013_5_32888	58002429	1
56156604	013_6_33211	56156604	1		002_6_33590	56157603	1		013_6_33211	58002429	1
	013_7_64065	56156604	1		002_7_63846	56157603	1		013_7_64065	58002429	1
56156940	011_4_25304	56156940	1		01B_0_24960	56157603	1	58002538	013_4_25436	58002538	1
	011_5_32699	56156940	1	56157606	004_4_25109	56157606	1		013_5_32888	58002538	1
	011_6_33168	56156940	1		04A_0_25152	56157606	1		013_6_33211	58002538	1
	011_7_63924	56156940	1	56157607	004_4_25109	56157607	1		013_7_64065	58002538	1
56156948	011_4_25304	56156948	1		04A_0_25152	56157607	1	58042167	011_4_25304	58042167	1
	011_5_32699	56156948	1	56158943	006_3_25213	56158943	1		011_5_32699	58042167	1
	011_6_33168	56156948	1	56347484	003_3_25078	56347484	1		011_6_33168	58042167	1
	011_7_63924	56156948	1		003_4_27606	56347484	1		011_7_63924	58042167	1



SPARE PARTS INSTANCE INDEX

Code	Parts Table	Pos.	Q.ty	Code	Parts Table	Pos.	Q.ty	Code	Parts Table	Pos.	Q.ty
58042167	013_4_25436	58042167	1	58047671	011A_1_32745	58047671	1	58050345	013_6_33211	58050345	1
	013_5_32888	58042167	1	58047712	011_4_25304	58047712	1		013_7_64065	58050345	1
	014_2_25485	58042167	1		011_5_32699	58047712	1	58051670	013_4_25436	58051670	1
58042200	014_2_25485	58042200	1		011_6_33168	58047712	1		013_5_32888	58051670	1
58042202	013_4_25436	58042202	1		011_7_63924	58047712	1	58052013	017_0_25512	58052013	1
	013_5_32888	58042202	1	58047729	016_2_25498	58047729	1	58052019	017_0_25512	58052019	1
58043053	004_4_25109	58043053	1		016_3_32939	58047729	1	58052025	017_0_25512	58052025	1
	04A_0_25152	58043053	1	58048000	013_4_25436	58048000	1	58052026	017_0_25512	58052026	1
58043086	006_3_25213	58043086	1		013_5_32888	58048000	1	58052027	017_0_25512	58052027	1
58043117	004_4_25109	58043117	1		013_6_33211	58048000	1	58052028	017_0_25512	58052028	1
	04A_0_25152	58043117	1		013_7_64065	58048000	1	58052029	017_0_25512	58052029	1
58043176	011A_0_25340	58043176	1	58048002	013_4_25436	58048002	1	58052035	017_0_25512	58052035	1
	011A_1_32745	58043176	1		013_5_32888	58048002	1	58052036	017_0_25512	58052036	1
58043216	013_6_33211	58043216	1	58048009	011_4_25304	58048009	1	58052152	017_0_25512	58052152	1
	013_7_64065	58043216	1		011_5_32699	58048009	1	58053049	013_4_25436	58053049	1
58043219	013_4_25436	58043219	1		011_6_33168	58048009	1		013_5_32888	58053049	1
	013_5_32888	58043219	1		011_7_63924	58048009	1	58056155	013_4_25436	58056155	1
58043253	013_4_25436	58043253	1	58048012	013_4_25436	58048012	1		013_5_32888	58056155	1
	013_5_32888	58043253	1		013_5_32888	58048012	1	58056391	006_3_25213	58056391	1
58043874	09A_0_25271	58043874	1		013_6_33211	58048012	1	58056593	013_4_25436	58056593	1
58043881	09A_0_25271	58043881	1		013_7_64065	58048012	1		013_5_32888	58056593	1
58045804	002_5_25058	58045804	1	58048035	01B_0_24960	58048035	1		013_6_33211	58056593	1
	002_6_33590	58045804	1	58048214	014_2_25485	58048214	1		013_7_64065	58056593	1
	002_7_63846	58045804	1	58048215	014_2_25485	58048215	1	58056595	013_6_33211	58056595	1
58045805	002_5_25058	58045805	1	58048355	013_6_33211	58048355	1		013_7_64065	58056595	1
58045807	002_5_25058	58045807	1	58049501	013_4_25436	58049501	1	58056918	011_4_25304	58056918	1
	002_6_33590	58045807	1		013_5_32888	58049501	1		011_5_32699	58056918	1
	002_7_63846	58045807	1		013_7_64065	58049501	1		011_6_33168	58056918	1
58046912	016_2_25498	58046912	1	58049541	002_5_25058	58049541	1		011_7_63924	58056918	1
	016_3_32939	58046912	1		002_6_33590	58049541	1	58056942	011_4_25304	58056942	1
58046913	016_2_25498	58046913	1		002_7_63846	58049541	1		011_5_32699	58056942	1
58047649	013_6_33211	58047649	1	58049646	09A_0_25271	58049646	1		011_6_33168	58056942	1
	013_7_64065	58047649	1	58049663	013_6_33211	58049663	1		011_7_63924	58056942	1
58047671	011A_0_25340	58047671	1		013_7_64065	58049663	1	58056991	011_4_25304	58056991	1



SPARE PARTS INSTANCE INDEX

Code	Parts Table	Pos.	Q.ty	Code	Parts Table	Pos.	Q.ty	Code	Parts Table	Pos.	Q.ty
58056991	011_5_32699	58056991	1	58057413	011_5_32699	58057413	1	58057767	016_2_25498	58057767	1
	011_6_33168	58056991	1		011_6_33168	58057413	1		016_3_32939	58057767	1
	011_7_63924	58056991	1		011_7_63924	58057413	1	58057768	016_2_25498	58057768	1
	01B_0_24960	58056991	1	58057417	011_4_25304	58057417	1		016_3_32939	58057768	1
58057205	013_6_33211	58057205	1		011_5_32699	58057417	1	58057770	016_2_25498	58057770	1
	013_7_64065	58057205	1		011_6_33168	58057417	1		016_3_32939	58057770	1
58057216	013_6_33211	58057216	1		011_7_63924	58057417	1	58057772	016_2_25498	58057772	1
	013_7_64065	58057216	1	58057418	013_4_25436	58057418	1		016_3_32939	58057772	1
58057232	011A_0_25340	58057232	1		013_5_32888	58057418	1	58057773	016_3_32939	58057773	1
	011A_1_32745	58057232	1		013_6_33211	58057418	1	58057774	016_3_32939	58057774	1
58057263	013_4_25436	58057263	1		013_7_64065	58057418	1	58093089	016_3_32939	58093089	1
	013_5_32888	58057263	1	58057419	011_7_63924	58057419	1	58135225	002_7_63846	58135225	1
	013_6_33211	58057263	1	58057422	013_7_64065	58057422	1	58147704	013_4_25436	58147704	1
	013_7_64065	58057263	1	58057610	002_5_25058	58057610	1		013_5_32888	58147704	1
58057289	013_4_25436	58057289	1		002_6_33590	58057610	1		013_6_33211	58147704	1
	013_5_32888	58057289	1		002_7_63846	58057610	1		013_7_64065	58147704	1
58057336	013_4_25436	58057336	1	58057611	002_5_25058	58057611	1	58150313	013_4_25436	58150313	1
	013_5_32888	58057336	1		002_6_33590	58057611	1		013_5_32888	58150313	1
58057343	013_4_25436	58057343	1		002_7_63846	58057611	1		013_6_33211	58150313	1
	013_5_32888	58057343	1	58057625	016_3_32939	58057625	1		013_7_64065	58150313	1
58057354	013_4_25436	58057354	1	58057676	016_2_25498	58057676	1	58156156	013_4_25436	58156156	1
	013_5_32888	58057354	1		016_3_32939	58057676	1		013_5_32888	58156156	1
	013_6_33211	58057354	1	58057677	016_2_25498	58057677	1		013_6_33211	58156156	1
	013_7_64065	58057354	1		016_3_32939	58057677	1		013_7_64065	58156156	1
58057355	013_6_33211	58057355	1	58057678	016_2_25498	58057678	1	58157405	002_7_63846	58157405	1
	013_7_64065	58057355	1		016_3_32939	58057678	1	59015425	004_4_25109	59015425	1
58057369	013_6_33211	58057369	1	58057688	016_2_25498	58057688	1		04A_0_25152	59015425	1
58057384	002_5_25058	58057384	1		016_3_32939	58057688	1	59048200	014_2_25485	59048200	1
	002_6_33590	58057384	1	58057704	016_2_25498	58057704	1	59048208	014_2_25485	59048208	1
	002_7_63846	58057384	1		016_3_32939	58057704	1	59049637	09A_0_25271	59049637	1
58057386	002_5_25058	58057386	1	58057724	016_2_25498	58057724	1	59053224	01B_0_24960	59053224	1
	002_6_33590	58057386	1		016_3_32939	58057724	1	59056258	004_4_25109	59056258	1
	002_7_63846	58057386	1	58057746	016_3_32939	58057746	1		04A_0_25152	59056258	1
58057413	011_4_25304	58057413	1	58057748	016_3_32939	58057748	1	59056259	004_4_25109	59056259	1



SPARE PARTS INSTANCE INDEX

Code	Parts Table	Pos.	Q.ty	Code	Parts Table	Pos.	Q.ty
59056259	04A_0_25152	59056259	1	59247884	003_3_25078	59247884	1
59056365	006_3_25213	59056365	1		003_4_27606	59247884	1
59056383	006_3_25213	59056383	1		003_5_33490	59247884	1
59056935	011_4_25304	59056935	1	59247924	003_3_25078	59247924	1
	011_5_32699	59056935	1		003_4_27606	59247924	1
59056997	011_4_25304	59056997	1		003_5_33490	59247924	1
	011_5_32699	59056997	1	59247971	003_3_25078	59247971	1
59057000	011_6_33168	59057000	1		003_4_27606	59247971	1
	011_7_63924	59057000	1		003_5_33490	59247971	1
59057008	011A_1_32745	59057008	1	59256253	003_3_25078	59256253	1
59057010	011_6_33168	59057010	1	59256255	003_5_33490	59256255	1
	011_7_63924	59057010	1	59256275	003_4_27606	59256275	1
59057011	011_6_33168	59057011	1		003_5_33490	59256275	1
	011_7_63924	59057011	1	59256279	003_4_27606	59256279	1
59057025	011_4_25304	59057025	1		003_5_33490	59256279	1
	011_5_32699	59057025	1	59256280	003_5_33490	59256280	1
59057027	011A_0_25340	59057027	1	59257140	013_6_33211	59257140	1
59057033	011_4_25304	59057033	1	59257147	013_7_64065	59257147	1
	011_5_32699	59057033	1	59257157	013_5_32888	59257157	1
59057036	013_4_25436	59057036	1	59257158	013_5_32888	59257158	1
59057048	011_5_32699	59057048	1	59257200	013_6_33211	59257200	1
59057117	013_4_25436	59057117	1		013_7_64065	59257200	1
59057210	013_6_33211	59057210	1	59257409	011_4_25304	59257409	1
	013_7_64065	59057210	1		011_5_32699	59257409	1
59057300	011A_0_25340	59057300	1		011_6_33168	59257409	1
	011A_1_32745	59057300	1		011_7_63924	59257409	1
59057317	011A_0_25340	59057317	1	F0825500200	002_6_33590	F0825500	1
	011A_1_32745	59057317	1		002_7_63846	F0825500	1
59057604	002_5_25058	59057604	1	F0825500210	002_6_33590	F0825500	1
	002_6_33590	59057604	1		002_7_63846	F0825500	1
	002_7_63846	59057604	1	F0825500220	002_6_33590	F0825500	1
59057608	002_5_25058	59057608	1		002_7_63846	F0825500	1
	002_6_33590	59057608	1	F0831193010	011A_0_25340	F0831193	1
	002_7_63846	59057608	1		011A_1_32745	F0831193	1